

One finger angular pneumatic grippers for clamping, series OF

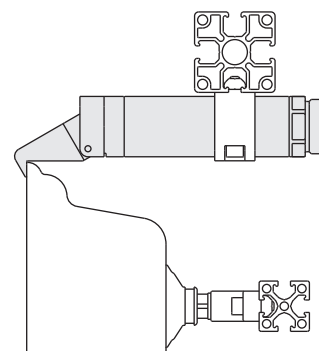
- Single acting.
- Optional magnetic sensors.
- Food grade grease FDA-H1.

	OFA14-35	OFA20-35 OFA20-35S	OFA30-35 OFA30-35S	OFA50-35 OFA50-35S
Fluido Medium	Aria compressa filtrata, lubrificata / non lubrificata Filtered, lubricated / non lubricated compressed air			
Corpo pinza Gripper body	Alluminio Aluminium			
Pressione di esercizio Pressure range	2.5 ÷ 8 bar			
Temperatura di esercizio Temperature range	5 ÷ 60 °C.			
Corsa Stroke	35°			
Alesaggio Piston bore	Ø10 mm	Ø16 mm	Ø25 mm	Ø40 mm
Coppia di chiusura a 6 bar Closing torque at 6 bar	26 Ncm	100 Ncm	430 Ncm	1900 Ncm
Consumo d'aria per ciclo Cycle air consumption	0.4 cm ³	1.24 cm ³	4.56 cm ³	43 cm ³
Peso Weight	25 g	65 g 86 g	206 g 272 g	860 g 1060 g

OFA...-35S

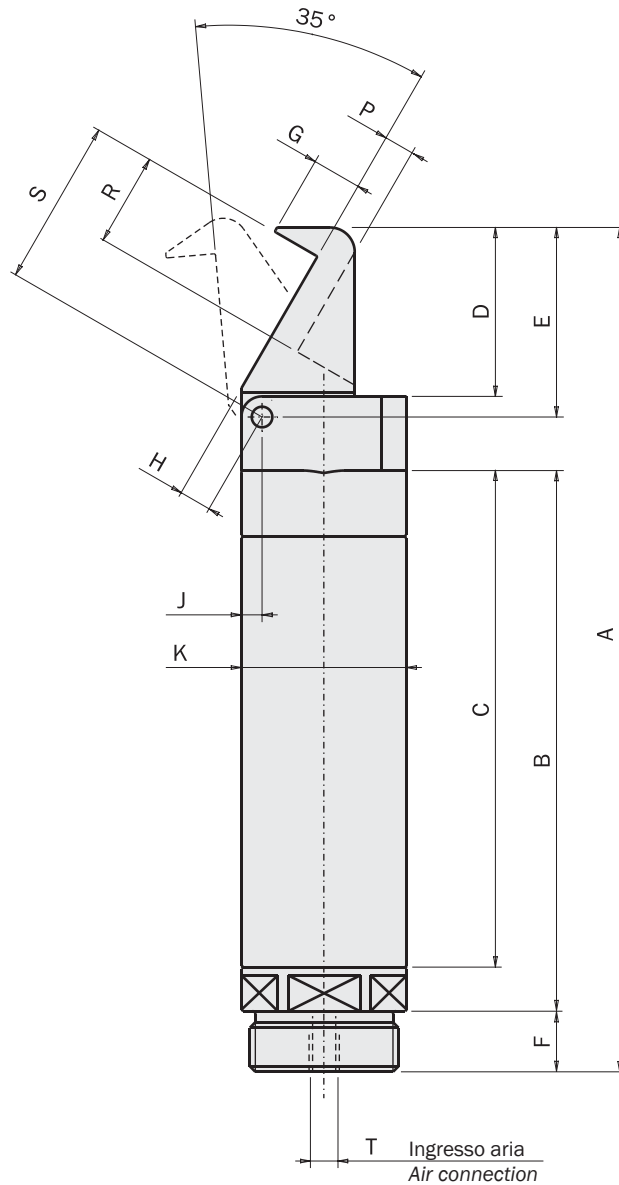
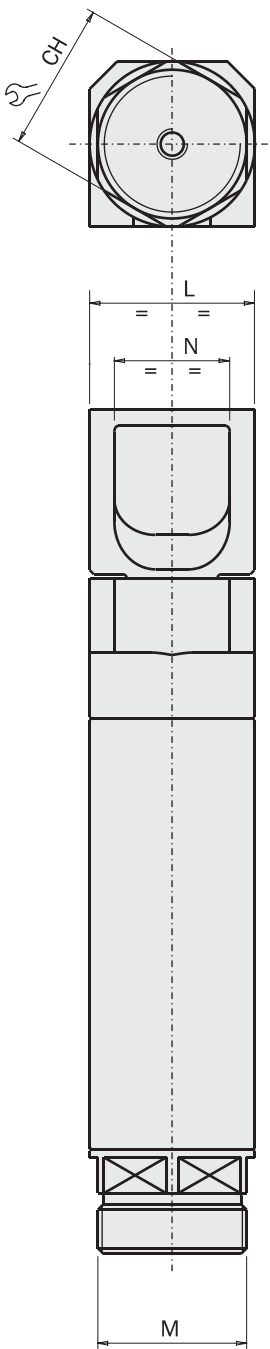


OFA...-35

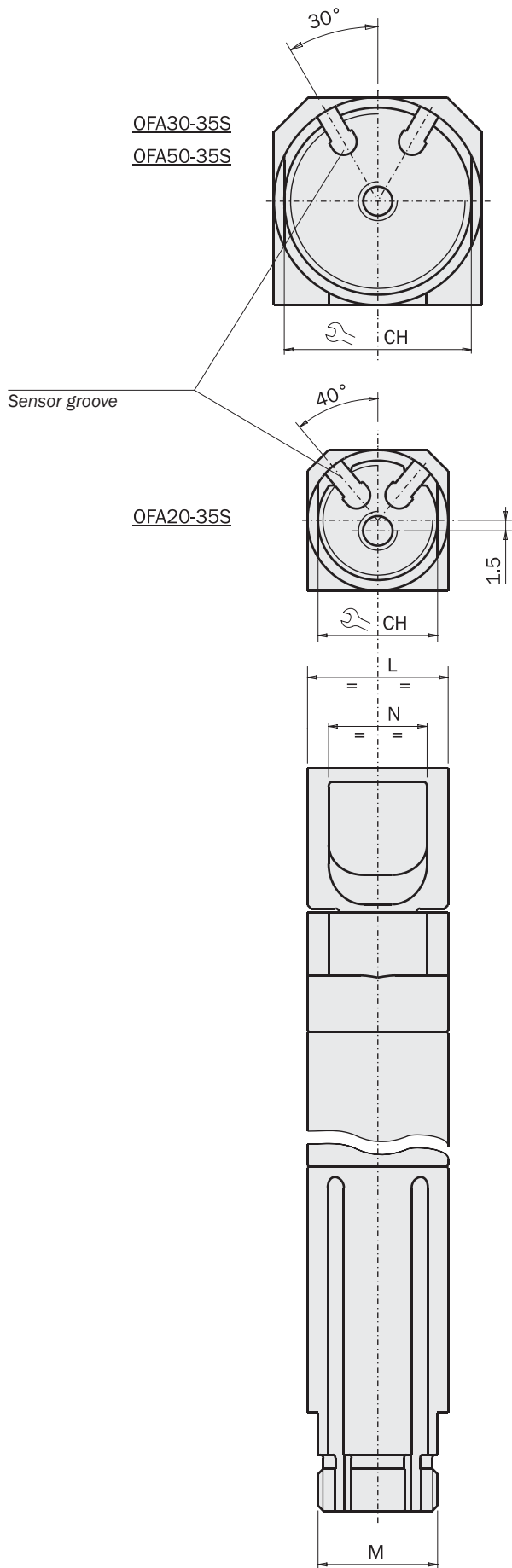


Dimensions (mm)

	OFA14-35	OFA20-35	OFA30-35	OFA50-35
A	74	106	153	235.5
B	44	68.5	100	139
C	40	63.5	92	127
D	14	20.5	30	49.5
E	16	23	34	56
F	5.5	8	11	25
G	4.5	6	8	14
H	3.4	3.9	6	10
J	2	2.5	4	6.5
K	Ø14	Ø20	Ø30	Ø50
L	14	20	30	50
M	M12x1	M17x1	M27x1	M45x1.5
N	10	14	22	38
P	2	3	5	7
R	6	11.5	17	26
S	13.5	20.2	30.5	50
T	M5	M5	M5	G1/8"
CH	12	17	27	46



Dimensions (mm)



	OFA20-35S	OFA30-35S	OFA50-35S
A	136	189	280.5
B	98.8	136	184
C	41	53	57
D	20.5	30	49.5
E	23	34	56
F	8	11	25
G	6	8	14
H	3.9	6	10
J	2.5	4	6.5
K	Ø20	Ø30	Ø50
L	20	30	50
M	M17x1	M27x1	M45x1.5
N	14	22	38
P	3	5	7
R	11.5	17	26
S	20.2	30.5	50
T	M5	M5	G1/8"
CH	17	27	46

