

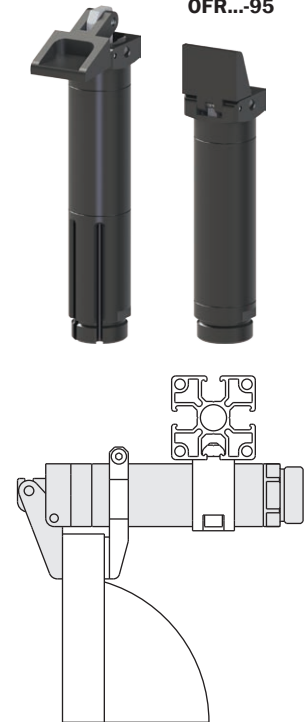
## One finger angular pneumatic grippers for clamping, series OF

- Single acting.
- Optional magnetic sensors.
- Food grade grease FDA-H1.

	OFR14-95	OFR20-95 OFR20-95S	OFR30-95 OFR30-95S	OFR50-95 OFR50-95S
Fluido Medium	Aria compressa filtrata, lubrificata / non lubrificata Filtered, lubricated / non lubricated compressed air			
Corpo pinza Gripper body	Alluminio Aluminium			
Pressione di esercizio Pressure range	2.5 ÷ 8 bar			
Temperatura di esercizio Temperature range	5 ÷ 60 °C.			
Corsa Stroke	95°			
Alesaggio Piston bore	Ø10 mm	Ø16 mm	Ø25 mm	Ø40 mm
Coppia di chiusura a 6 bar Closing torque at 6 bar	19 Ncm	70 Ncm	300 Ncm	1250 Ncm
Consumo d'aria per ciclo Cycle air consumption	1 cm <sup>3</sup>	3.52 cm <sup>3</sup>	12.9 cm <sup>3</sup>	80 cm <sup>3</sup>
Peso Weight	25 g	60 g 81 g	193 g 257 g	790 g 990 g

OFR...-95S

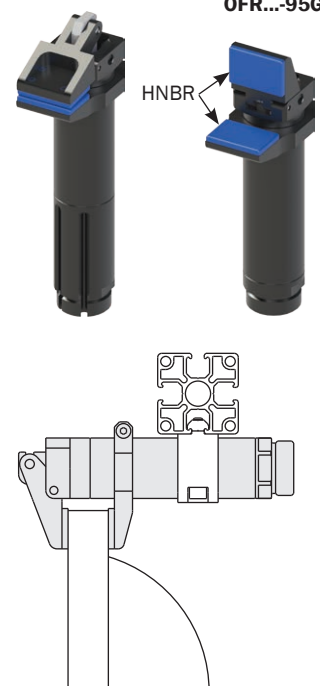
OFR...-95



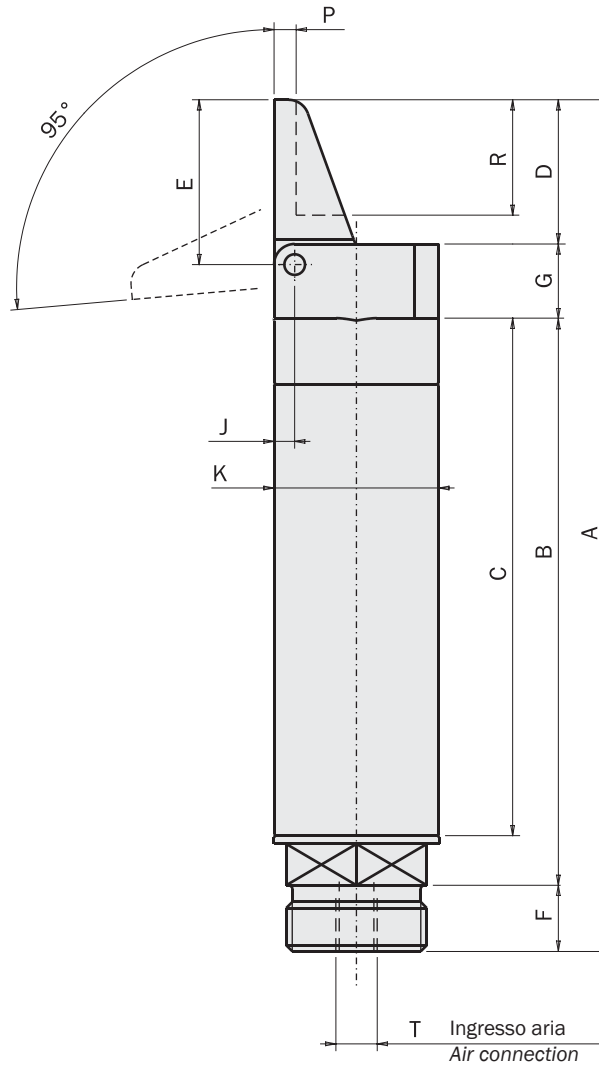
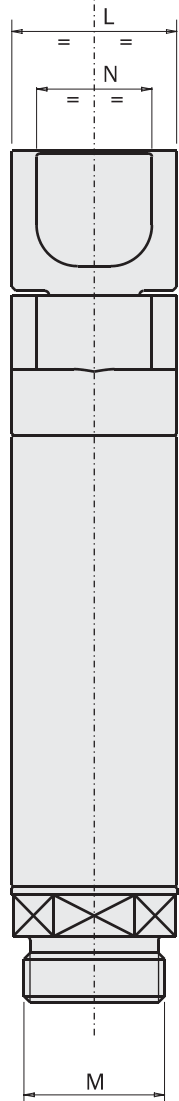
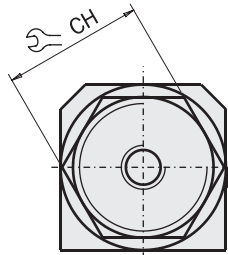
	OFR14-95G	OFR20-95G OFR20-95SG	OFR30-95G OFR30-95SG
Fluido Medium	Aria compressa filtrata, lubrificata / non lubrificata Filtered, lubricated / non lubricated compressed air		
Corpo pinza Gripper body	Alluminio Aluminium		
Pressione di esercizio Pressure range	2.5 ÷ 8 bar		
Temperatura di esercizio Temperature range	5 ÷ 60 °C.		
Corsa Stroke	95°		
Alesaggio Piston bore	Ø10 mm	Ø16 mm	Ø25 mm
Coppia di chiusura a 6 bar Closing torque at 6 bar	19 Ncm	70 Ncm	300 Ncm
Consumo d'aria per ciclo Cycle air consumption	1 cm <sup>3</sup>	3.52 cm <sup>3</sup>	12.9 cm <sup>3</sup>
Peso Weight	30 g	80 g 100 g	230 g 300 g

OFR...-95SG

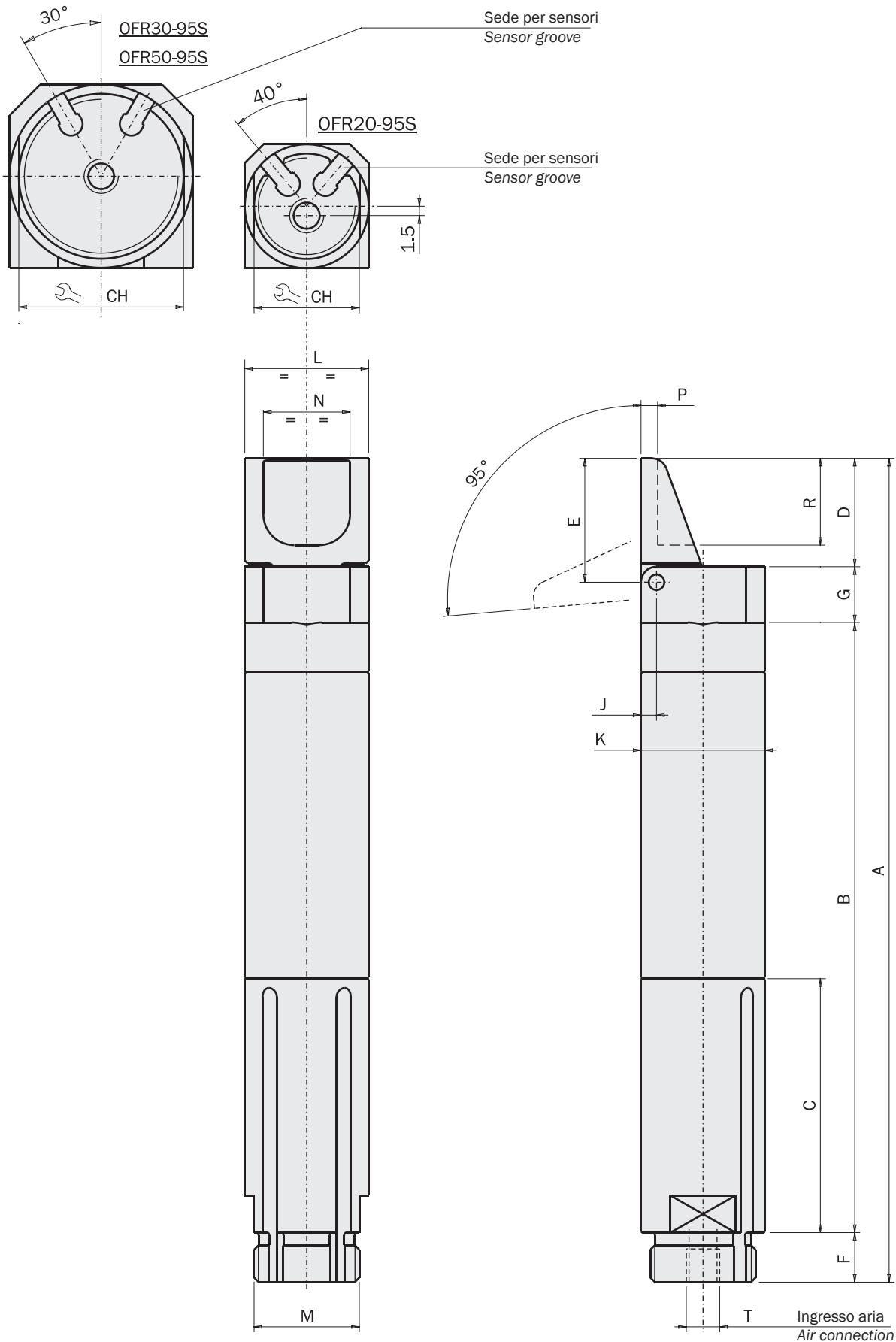
OFR...-95G



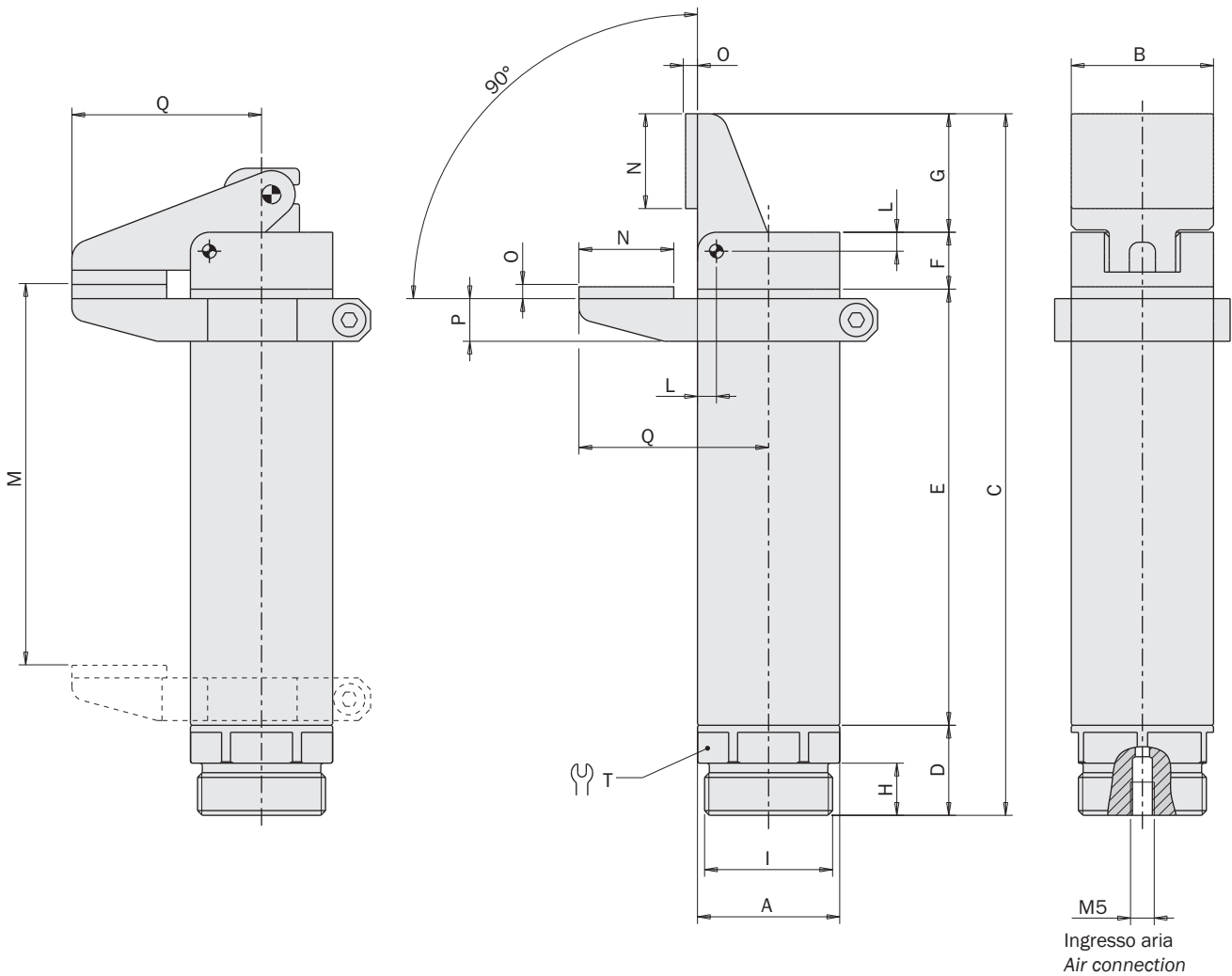
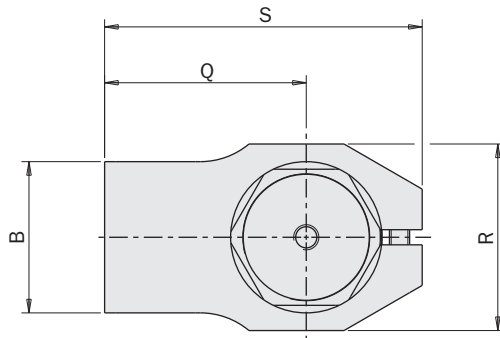
	A	B	C	D	E	F	G	J	K	L	M	N	P	R	CH	T
OFR14-95	72	41	40	12	14	5.5	10.5	2	Ø14	14	M12x1	10	2	9	12	M5
OFR20-95	103	68.5	62.5	17.5	20	8	9	2.5	Ø20	20	M17x1	14	3	14	17	M5
OFR30-95	148	100	92	25	29	11	12	4	Ø30	30	M27x1	22	5	21	27	M5
OFR50-95	227.5	139	114	41.5	48	25	12	6.5	Ø50	50	M45x1.5	38	7	34	46	G1/8"



	A	B	C	D	E	F	G	J	K	L	M	N	P	R	T	CH
OFR20-95S	133	98.5	41	17.5	20	8	9	2.5	Ø20	20	M17x1	14	3	14	M5	17
OFR30-95S	184	136	53	25	29	11	12	4	Ø30	30	M27x1	22	5	21	M5	27
OFR50-95S	272.5	184	57	41.5	48	25	22	6.5	Ø50	50	M45x1.5	38	7	34	G1/8"	46



	A	B	C	D	E	F	G	H	I	L	M	N	O	P	Q	R	S	T
OFR14-95G	Ø14	14	72	9.5	40	10.5	12	5.5	M12x1	2	34	11	2.5	7.5	19	19	32	12
OFR20-95G	Ø20	20	103	13	63.5	9	17.5	8	M17x1	2.5	53	15	2.5	7	27.5	25	43.5	17
OFR30-95G	Ø30	30	148	19	92	12	25	11	M27x1	4	80	20	3	9	40	37	63	27



	A	B	C	D	E	F	G	H	I	L	M	N	O	P	Q	R	S	T	U
OFR20-95SG	Ø20	20	133	41	57.5	9	17.5	8	M17x1	2.5	88	15	2.5	7	27.5	25	43.5	17	60°
OFR30-95SG	Ø30	30	184	53	83	12	25	11	M27x1	4	121	20	3	9	40	37	63	27	80°

