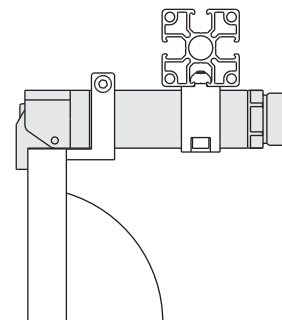


	OFS14-90	OFS20-90 OFS20-90S	OFS30-90 OFS30-90S
Fluido Medium	Aria compressa filtrata, lubrificata / non lubrificata Filtered, lubricated / non lubricated compressed air		
Corpo pinza Gripper body	Alluminio Aluminium		
Pressione di esercizio Pressure range	2.5 ÷ 8 bar		
Temperatura di esercizio Temperature range	5 ÷ 60 °C.		
Corsa Stroke	95°		
Alesaggio Piston bore	Ø10 mm	Ø16 mm	Ø25 mm
Coppia di chiusura a 6 bar Closing torque at 6 bar	19 Ncm	70 Ncm	300 Ncm
Consumo d'aria per ciclo Cycle air consumption	1 cm ³	3.52 cm ³	12.9 cm ³
Peso Weight	23 g	60 g 80 g	185 g 245 g

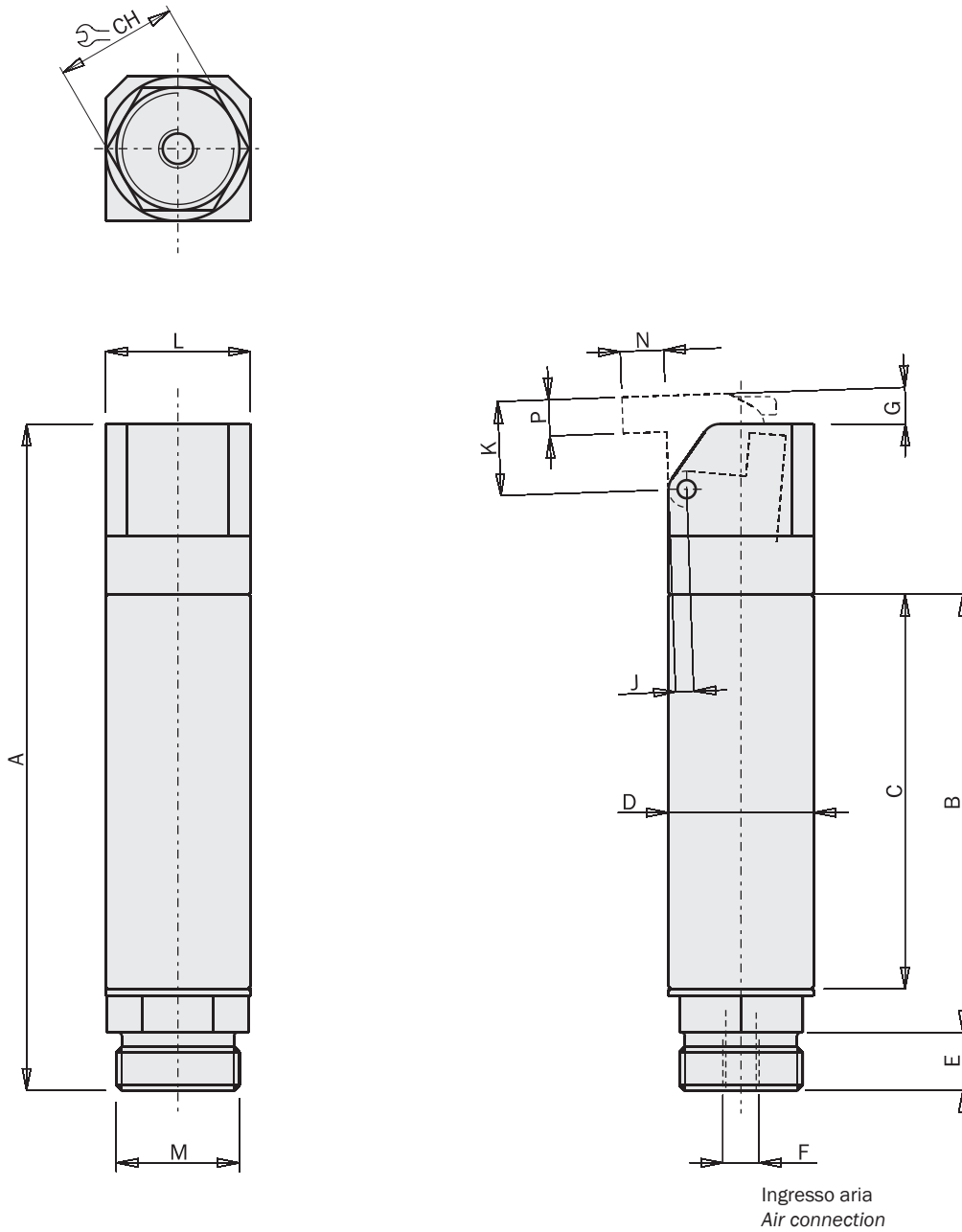
OFS...90S



OFS...90



	A	B	C	D	E	F	G	J	K	L	M	N	P	CH
OFS14-90	63	42	38	∅14	5.5	M5	2°	2	9	14	M12x1	4	4	12
OFS20-90	92	60.5	54.5	∅20	8	M5	2°	2.5	13	20	M17x1	6	5	17
OFS30-90	134.5	90	82	∅30	11	M5	2°	4	20	30	M27x1	11	6	27



	A	B	C	D	E	F	G	J	K	L	M	N	P
OFS20-90S	122	41	49.5	Ø20	8	M5	2°	2.5	13	20	M17x1	6	5
OFS30-90S	170.5	53	73	Ø30	11	M5	2°	4	20	30	M27x1	11	6

