



# Extrusion systems | Connectors

Adjustable profile connectors 0° to 90°

## Adjustable profile connectors 0° to 90°



GR01.062

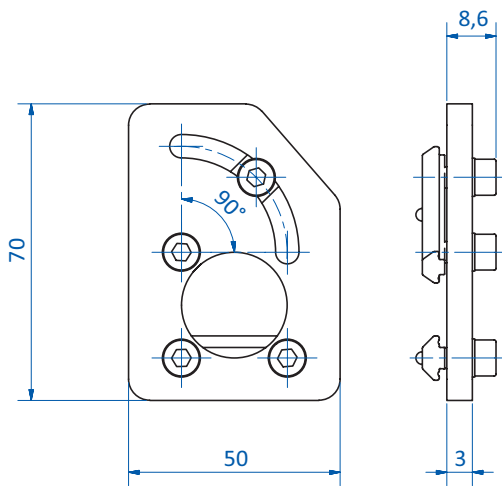
### Product notes

> Joining plates for connection of two profiles with adjustable angle

### Technical data

Item no.	Suitable for extrusion system	Weight [g]
GR01.062	SLine / MLine	77

### Dimensions



GR01.062