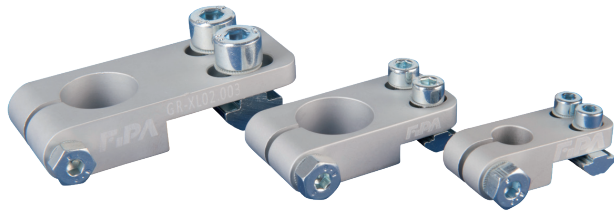




Short angle clamps



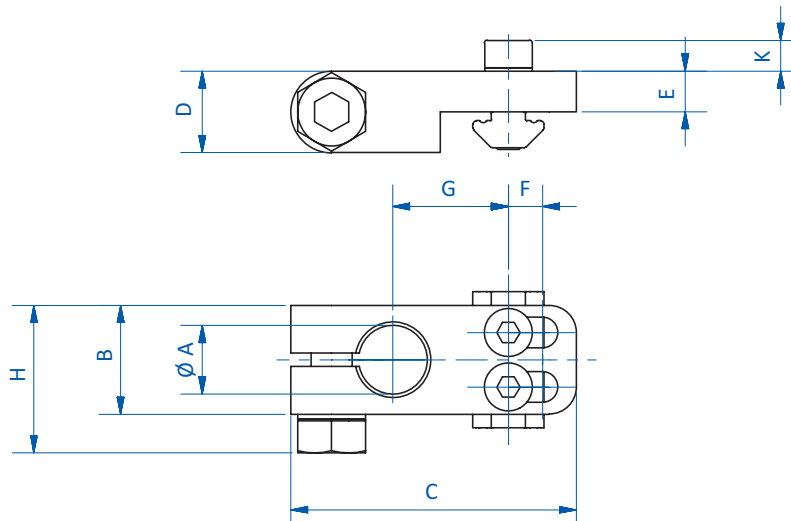
Product notes

- > For 90° mounting of gripper components
- > Slotted holes allow for use with profiles from 20 mm to 30 mm in size

Technical data

Item no.	Suitable for extrusion system	Weight [g]
GR02.005	SLine / MLine	73

Dimensions



Item no.	Ø A [mm]	B [mm]	C [mm]	D [mm]	E [mm]	F [mm]	G [mm]	H [mm]	K [mm]
GR02.005	30	35	62	20	10	5	27	40.7	5.6