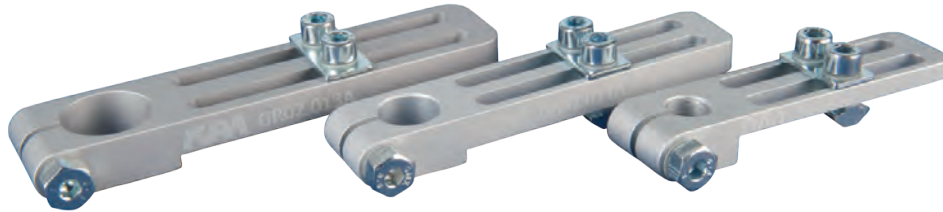




Long angle clamps



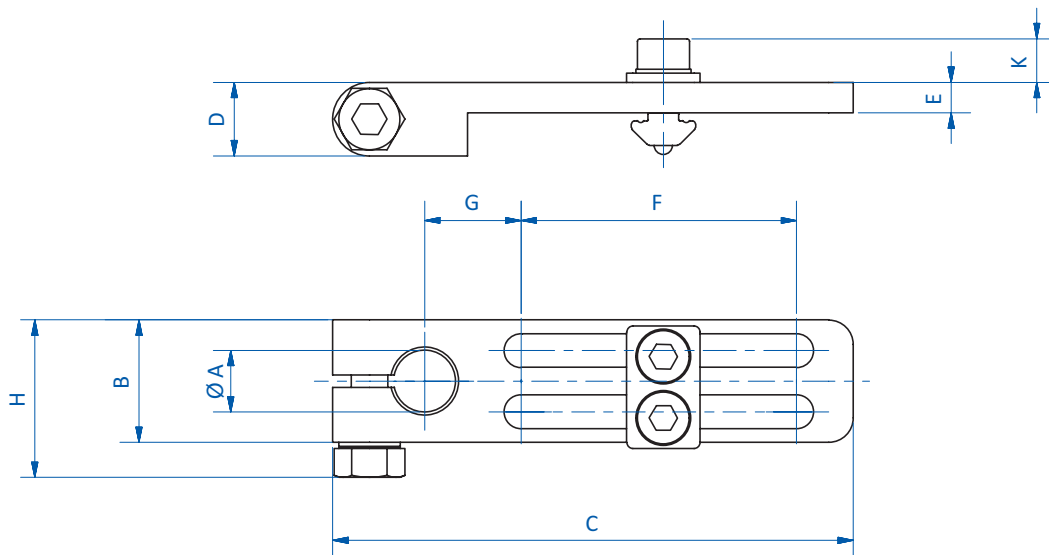
Product notes

- > For 90° mounting of gripper components
- > Allows for adjustment parallel and perpendicular to the profile frame

Technical data

Item no.	Suitable for extrusion system	Weight [g]
GR02.013A	SLine / MLine	85

Dimensions



Item no.	Ø A [mm]	B [mm]	C [mm]	D [mm]	E [mm]	F [mm]	G [mm]	H [mm]	K [mm]
GR02.013A	20	25	114	12	8.5	64.5	20.3	30.7	7.1