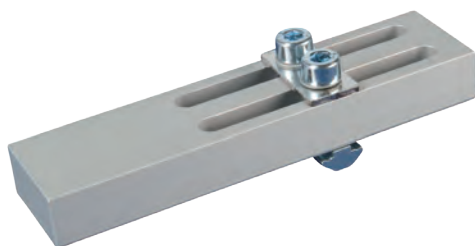




Angle clamps – customizable



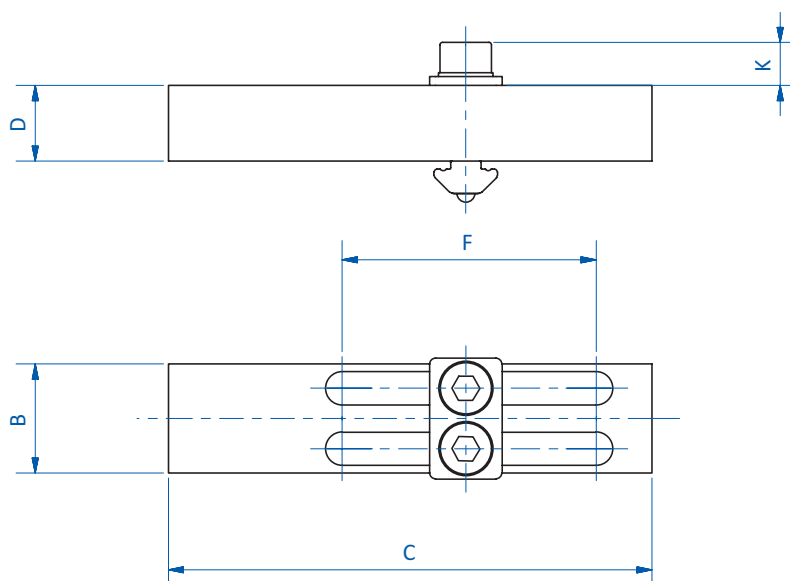
## Product notes

- > Mounting blank for custom solutions
- > Allows for adjustment parallel and perpendicular to the profile frame

## Technical data

Item no.	Suitable for extrusion system	Weight [g]
GR02.015	SLine / MLine	84

## Dimensions



Item no.	B [mm]	C [mm]	D [mm]	F [mm]	K [mm]
GR02.015	25	100	12.5	52	7.1