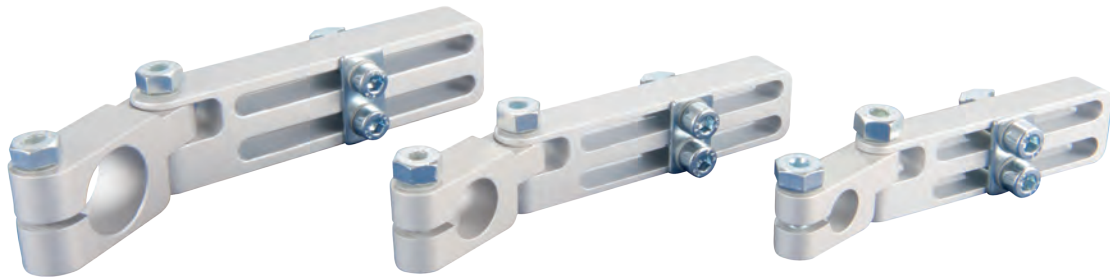




# Extrusion systems | Clamps for shafts

Long angle clamps – with swivel head

## Long angle clamps – with swivel head



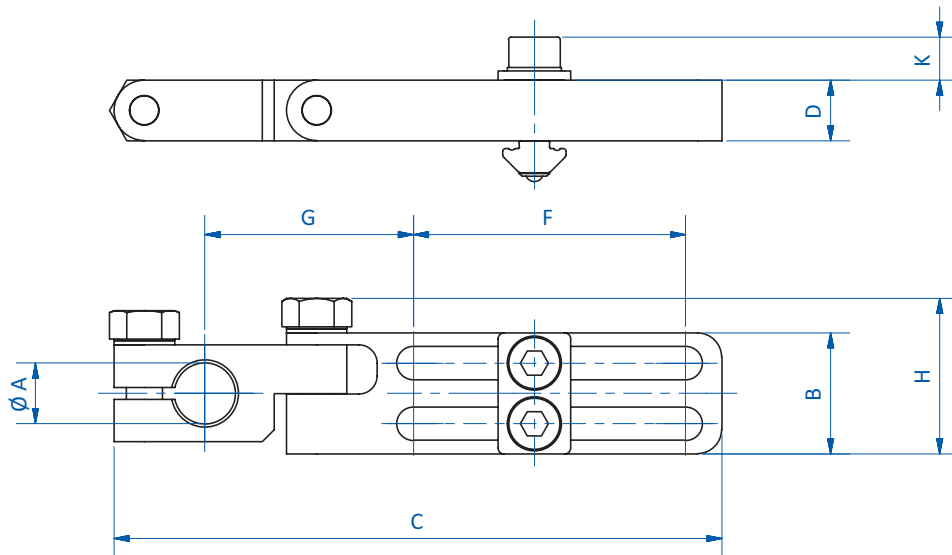
### Product notes

- > Swivel head allows for angle variable installation of gripper components
- > Allows for adjustment parallel and perpendicular to the profile frame

### Technical data

Item no.	Suitable for extrusion system	Weight [g]
GR02.029	SLine / MLine	152

### Dimensions



Item no.	Ø A [mm]	B [mm]	C [mm]	D [mm]	F [mm]	G [mm]	H [mm]	K [mm]
GR02.029	30	35	183.8	22.5	85	58.8	40.7	7.1