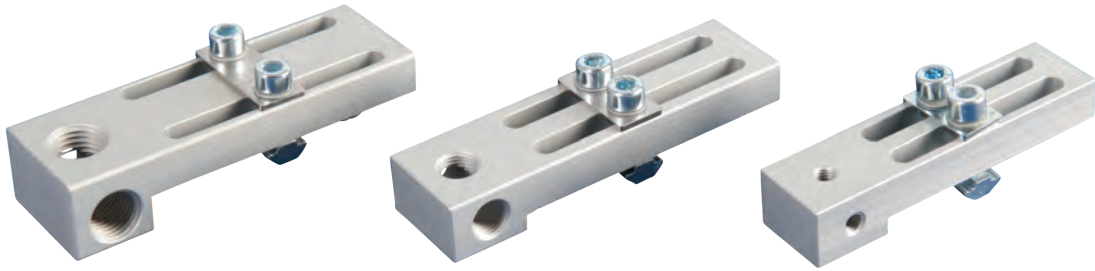




Extrusion systems | Mounting of vacuum cups

Long angle connectors for vacuum cups

Long angle connectors for vacuum cups



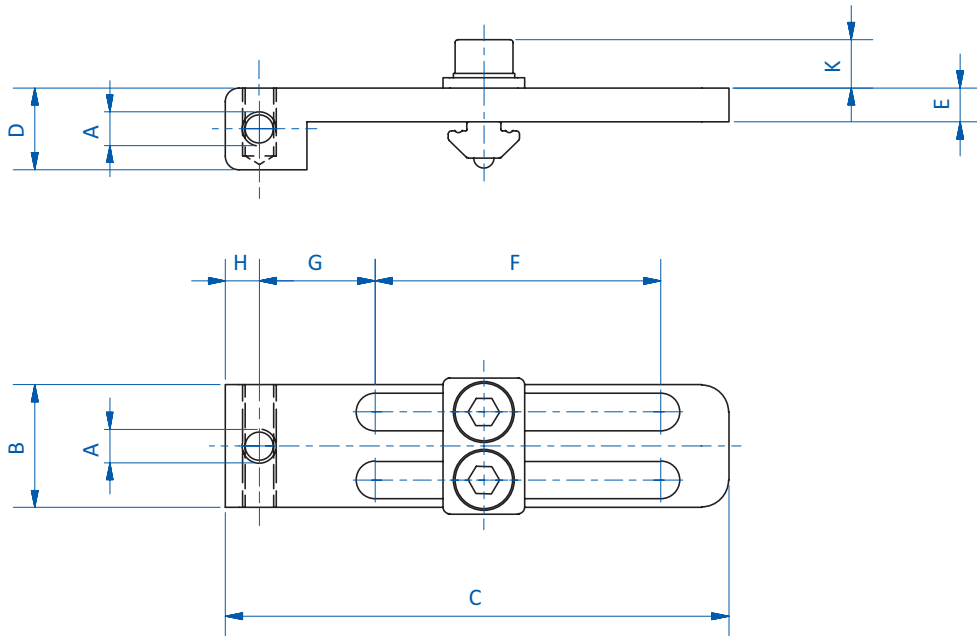
Product notes

- > Two vacuum ports
- > Slotted holes allow for adjustment perpendicular to the profile frame

Technical data

Item no.	Suitable for extrusion system	Weight [g]
GR02.040	SLine / MLine	44

Dimensions



Item no.	A	B [mm]	C [mm]	D [mm]	E [mm]	F [mm]	G [mm]	H [mm]	K [mm]
GR02.040	M5	18	74	12	5	42	17	5	7.1