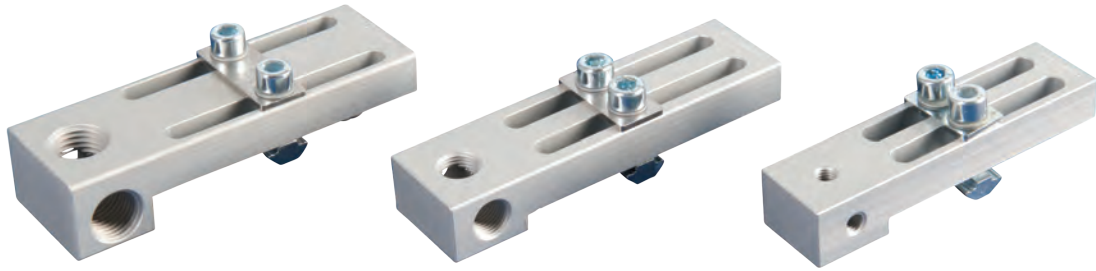




# Extrusion systems | Mounting of vacuum cups

Long angle connectors for vacuum cups

## Long angle connectors for vacuum cups



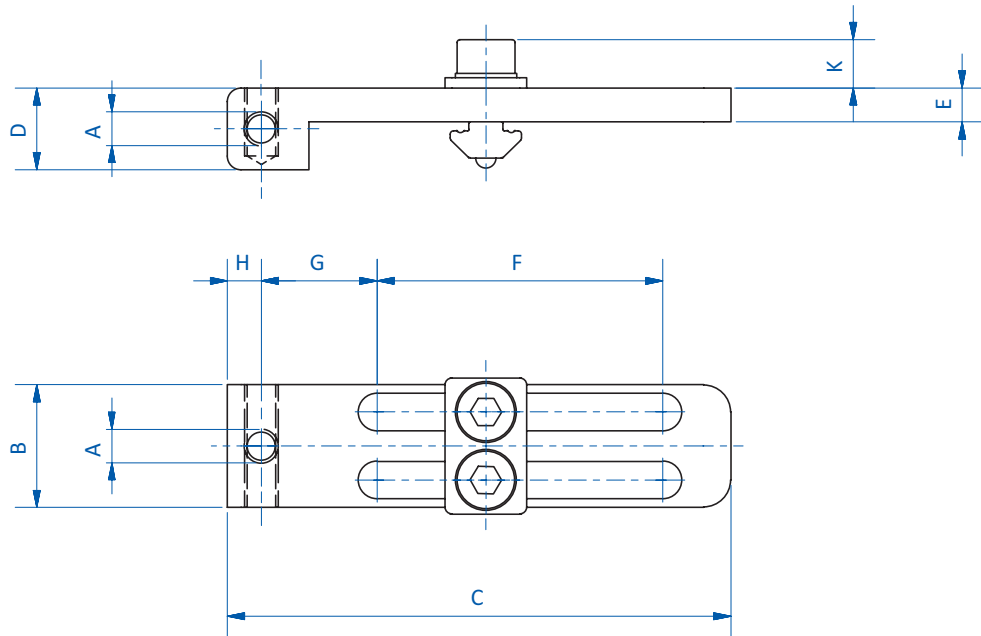
### Product notes

- > Two vacuum ports
- > Slotted holes allow for adjustment perpendicular to the profile frame

### Technical data

Item no.	Suitable for extrusion system	Weight [g]
GR02.041	SLine / MLine	58

### Dimensions



Item no.	A	B [mm]	C [mm]	D [mm]	E [mm]	F [mm]	G [mm]	H [mm]	K [mm]
GR02.041	G1/8	25	90	15	8.5	52	20.8	8	7.1