



Extrusion systems | Mounting of vacuum cups

Long angle connectors for vacuum cups

Long angle connectors for vacuum cups



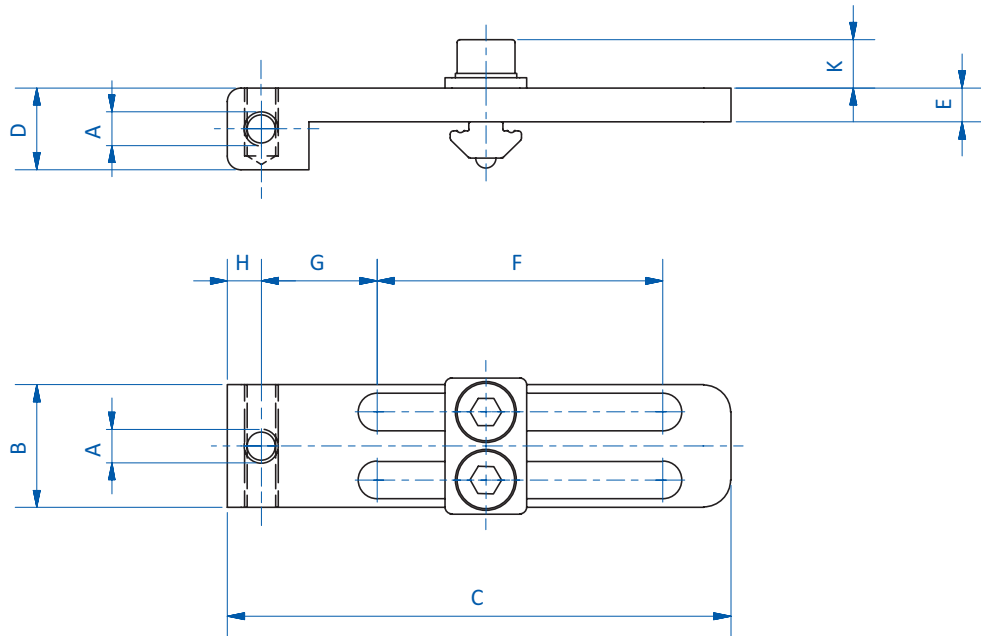
Product notes

- > Two vacuum ports
- > Slotted holes allow for adjustment perpendicular to the profile frame

Technical data

Item no.	Suitable for extrusion system	Weight [g]
GR02.043	SLine / MLine	86

Dimensions



Item no.	A	B [mm]	C [mm]	D [mm]	E [mm]	F [mm]	G [mm]	H [mm]	K [mm]
GR02.043	G1/4	30	94	18	8.5	52	22	10	7.1