



Vacuum cup connectors – perpendicular



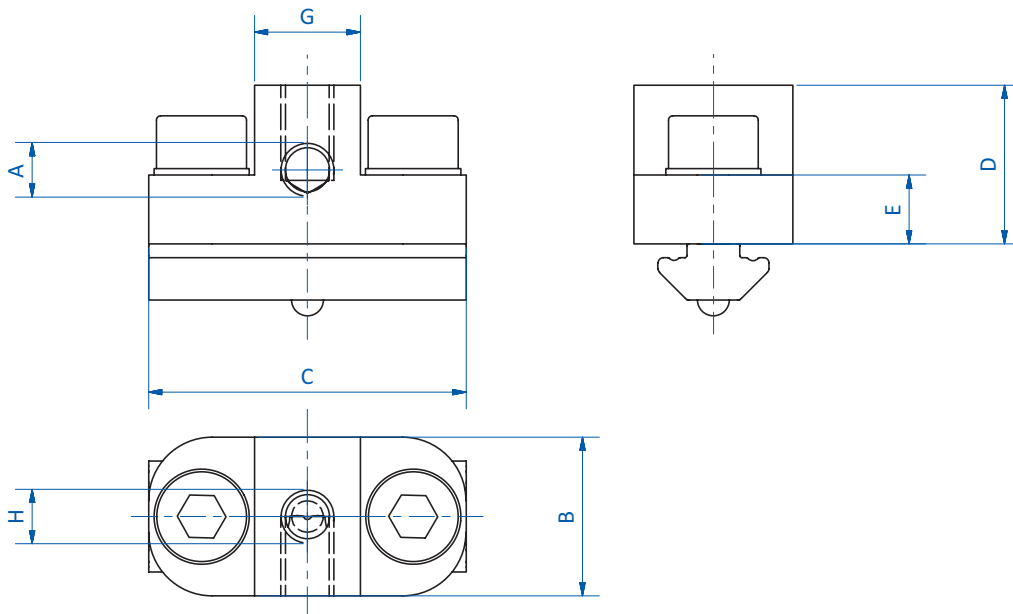
Product notes

- > Compact mounting of vacuum cups to profiles

Technical data

| Item no. | Suitable for extrusion system | Weight [g] |
|----------|-------------------------------|------------|
| GR02.050 | SLine / MLine | 24 |

Dimensions



| Item no. | A | H | B [mm] | C [mm] | D [mm] | E [mm] | G [mm] |
|----------|----|----|--------|--------|--------|--------|--------|
| GR02.050 | M5 | M5 | 15 | 30 | 15 | 6.5 | 10 |