



Vacuum cup connectors – perpendicular



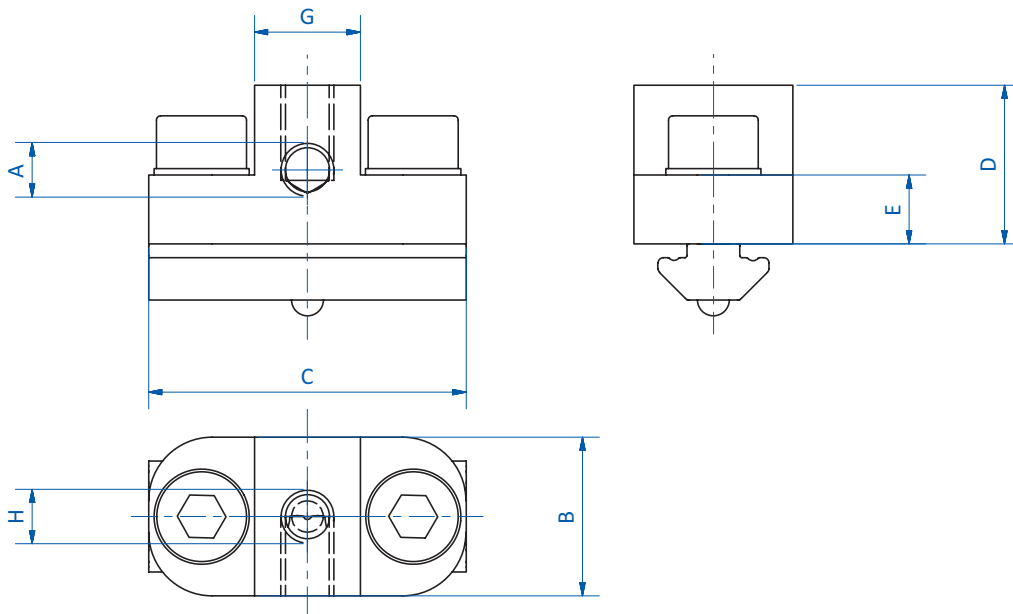
Product notes

- > Compact mounting of vacuum cups to profiles

Technical data

Item no.	Suitable for extrusion system	Weight [g]
GR02.051	SLine / MLine	36

Dimensions



Item no.	A	H	B [mm]	C [mm]	D [mm]	E [mm]	G [mm]
GR02.051	G1/8	G1/8	15	40	20	6.5	20