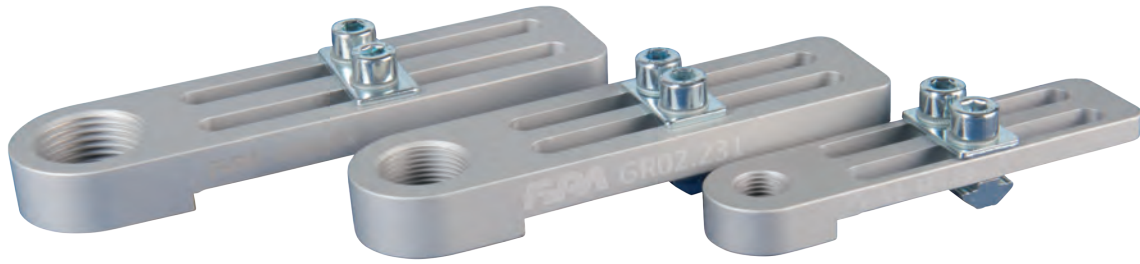




Extrusion systems | Clamps for shafts

Threaded mounting brackets

Threaded mounting brackets



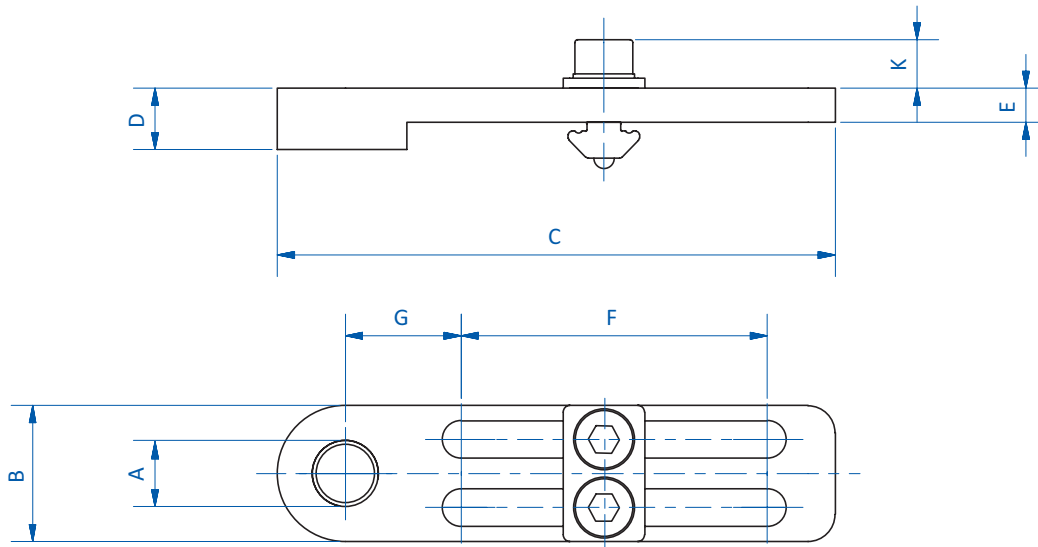
Product notes

> Mounting of G1/8, M16 x 1 and M20 x 1.5 suspensions and spring loaded gripper arms to profiles

Technical data

| Item no. | Suitable for extrusion system | Weight [g] |
|----------|-------------------------------|------------|
| GR02.232 | SLine / MLine | 63 |

Dimensions



| Item no. | A | B [mm] | C [mm] | D [mm] | E [mm] | F [mm] | G [mm] | K [mm] |
|----------|---------|--------|--------|--------|--------|--------|--------|--------|
| GR02.232 | M20x1.5 | 28 | 110 | 12 | 8.5 | 65 | 21 | 7.1 |