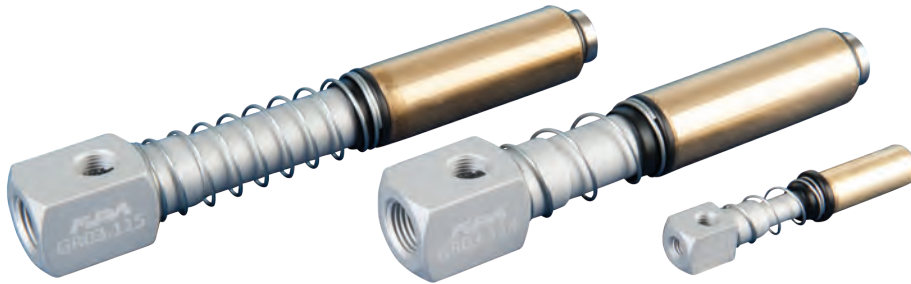




Spring compensated gripper arm for vacuum cups



Product notes

- > Spring compensates for variation in ejection stroke
- > Smooth motion due to lubrication-free polymer bearing
- > Only for round vacuum cups

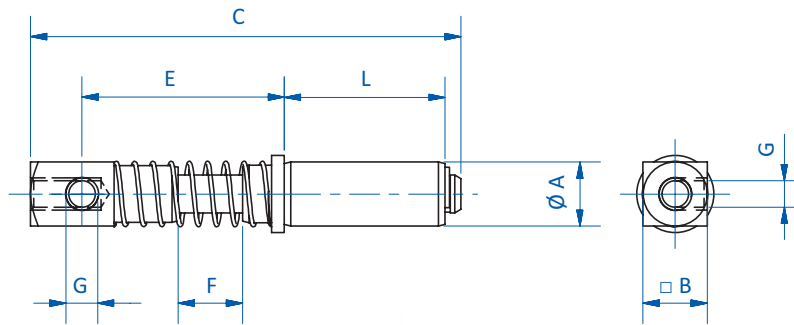
Technical data

Item no.	Stroke [mm]	Weight [g]
GR03.080A	10	18

Dimensions

$\varnothing A$ [mm]	G	H	D	$\square B$ [mm]	C [mm]	E [mm]	F [mm]	L [mm]
10	M5	M5	-	10	67	31.5	10	25

Dimensions



GR03.080A