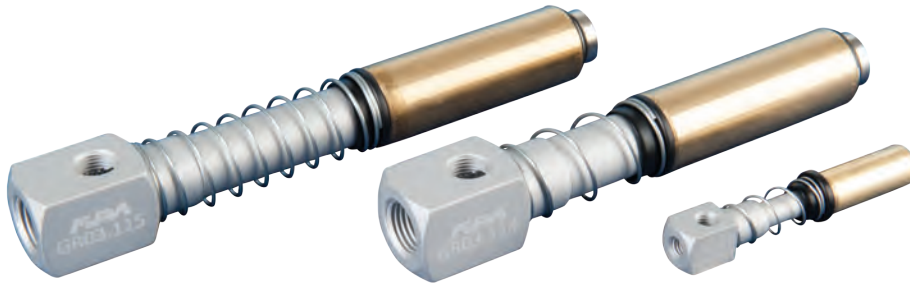




Spring compensated gripper arm for vacuum cups



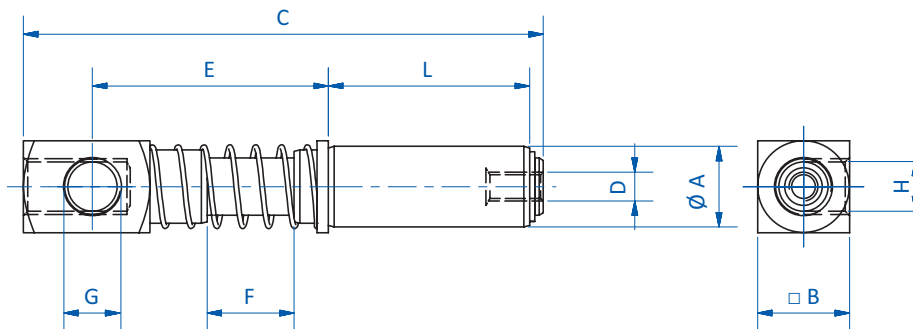
Product notes

- > Spring compensates for variation in ejection stroke
- > Smooth motion due to lubrication-free polymer bearing
- > Only for round vacuum cups

Technical data

Item no.	Stroke [mm]	Weight [g]	Dimensions								
			Ø A [mm]	G	H	D	□ B [mm]	C [mm]	E [mm]	F [mm]	L [mm]
GR03.091A	35	48	14	G1/8	G1/8	M5	16	112.5	61.1	35.1	35

Dimensions



GR03.091A