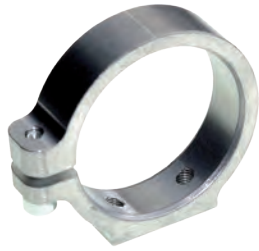




Mounting clamps for air nippers



Air nipper GT-NR20 with mounting clamp

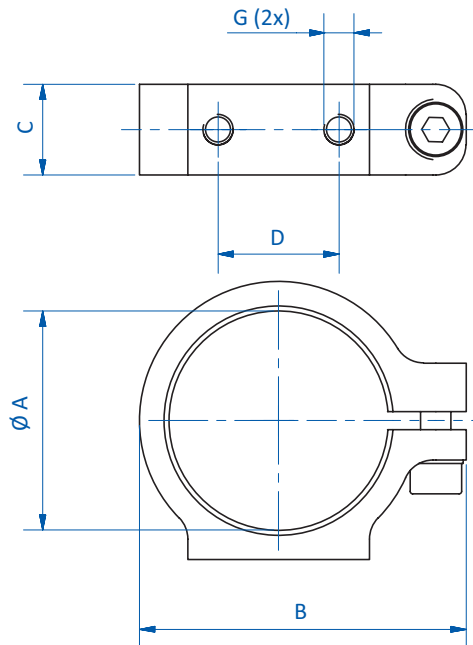
Product notes

- > Space-saving assembly of air nippers on extrusions and special machines
- > The clamps are part of air nipper fittings GT-NR10ST2 to GT-NR30ST2

Technical data

Item no.	Weight [g]	Air nippers
GT-NR10S	36	GT-NR10L

Dimensions



Item no.	Ø A [mm]	B [mm]	C [mm]	D [mm]	G
GT-NR10S	36	54	15	20	M5