



Nipper technology | Air nippers – manual and automatic operation

Blades for plastic, angled

Blades for plastic, angled



Product notes

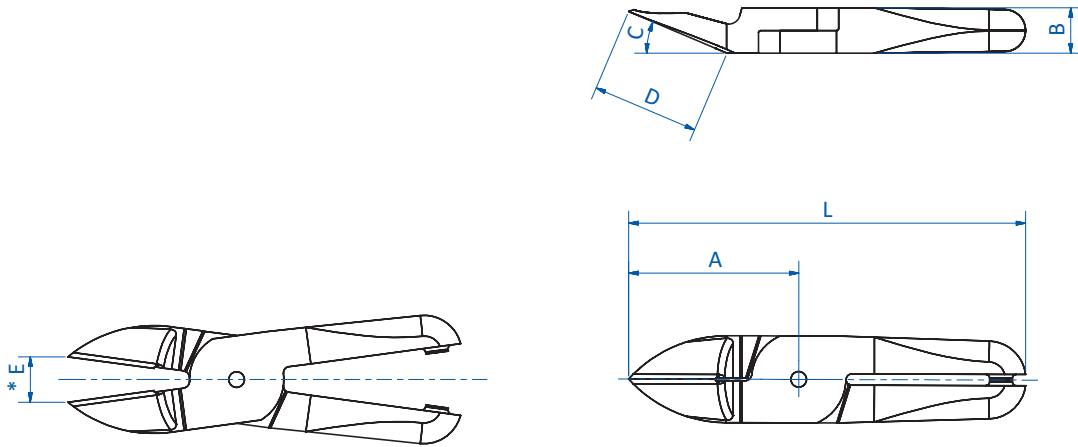
- > Blades with angled cutting edge
- > Model PF: blades with deep angle
- > All other blades with standard angle

Technical data

| Item no. | Material | Max. cutting thickness [mm] | | Weight [g] | Air nippers |
|----------|---------------|-----------------------------|-----|------------|----------------|
| | | PP/PE | ABS | | |
| N10AP | Ferrous alloy | 4 | 2.6 | 85 | GT-N10 (p.288) |



Dimensions



* = width of opening

| Item no. | A [mm] | B [mm] | C [°] | D [mm] | E [mm] | L [mm] |
|----------|--------|--------|-------|--------|--------|--------|
| N10AP | 27 | 9 | 30 | 11.5 | 5 | 91 |