



Blades for plastic, angled



Model PF

Product notes

- > Blades with angled cutting edge
- > Model PF: blades with deep angle
- > All other blades with standard angle

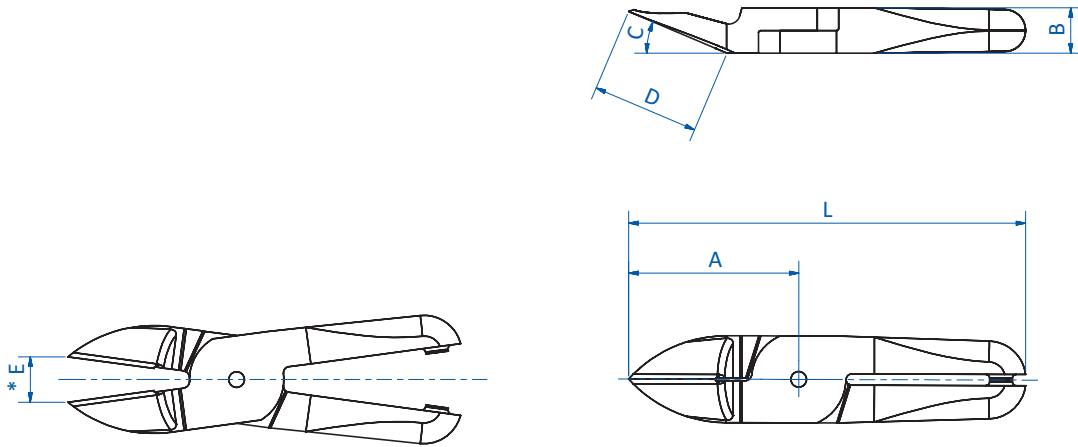
Technical data

Item no.	Material	Max. cutting thickness [mm]		Weight [g]	Air nippers
		PP/PE	ABS		

N20PF	Ferrous alloy	7	5	130	GT-N20 (p.288), GT-NR20 (p.286), GT-NS20 (p.286)
--------------	---------------	---	---	-----	--



Dimensions



* = width of opening

Item no.	A [mm]	B [mm]	C [°]	D [mm]	E [mm]	L [mm]
----------	--------	--------	-------	--------	--------	--------

N20PF	35	12	40	13.5	11	95
-------	----	----	----	------	----	----