



Nipper technology | Air nippers – manual and automatic operation

Singular blades for plastic, Z-shape

Singular blades for plastic, Z-shape



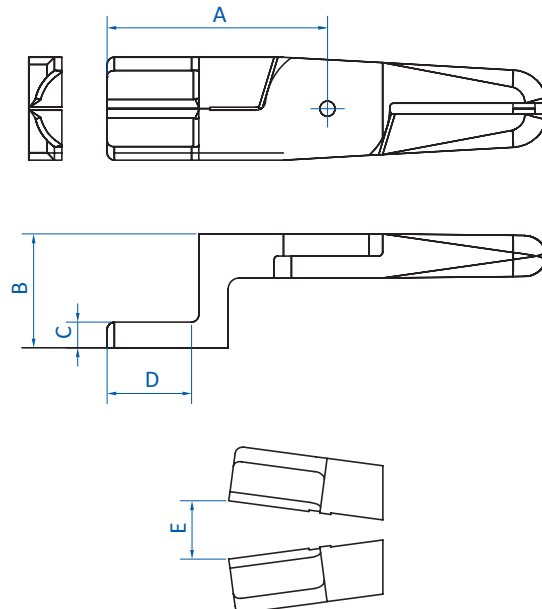
Product notes

- > Blades with offset cutting edge for overcoming obstacles or for narrow sprues

Technical data

Item no.	Material	Max. cutting thickness [mm]		Weight [g]	Air nippers
		PP/PE	ABS		
N30AH	Ferrous alloy	10	6.5	450	GT-N30 GT-NR30 GT-NS30

Dimensions



Item no.	A [mm]	B [mm]	C [mm]	D [mm]	E [mm]
N30AH	80	65	8	34	22