



Nipper technology | Air nippers – manual and automatic operation

Blades for metal, angled

Blades for metal, angled



Product notes

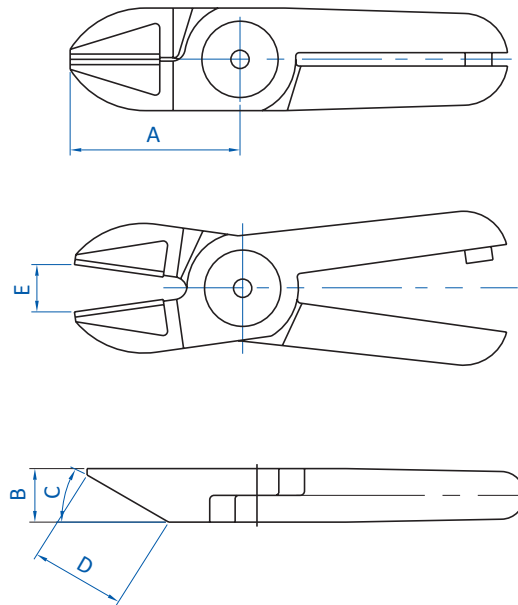
- > Blades with a beveled cutting edge using the anvil principle
- > N30BBB and N50BBB: blades with carbide tips to cut hard wire such as high steel wire or piano wire

Technical data

| Item no. | Material | Max. cutting thickness [mm] | | | Weight [g] | Air nippers |
|----------|---------------|-----------------------------|------------|------------|------------|-----------------------|
| | | Copper wire | Steel wire | Piano wire | | |
| N3AS | Ferrous alloy | 1 | 0.5 | -- | 35 | GT-N3, GT-NR3, GT-NS3 |



Dimensions



| Item no. | A [mm] | B [mm] | C [°] | D [mm] | E [mm] |
|----------|--------|--------|-------|--------|--------|
| N3AS | 24 | 7 | 25 | 12 | 4 |