



# Nipper technology | Air nippers – manual and automatic operation

Blades for plastic, angled

## Blades for plastic, angled



### Product notes

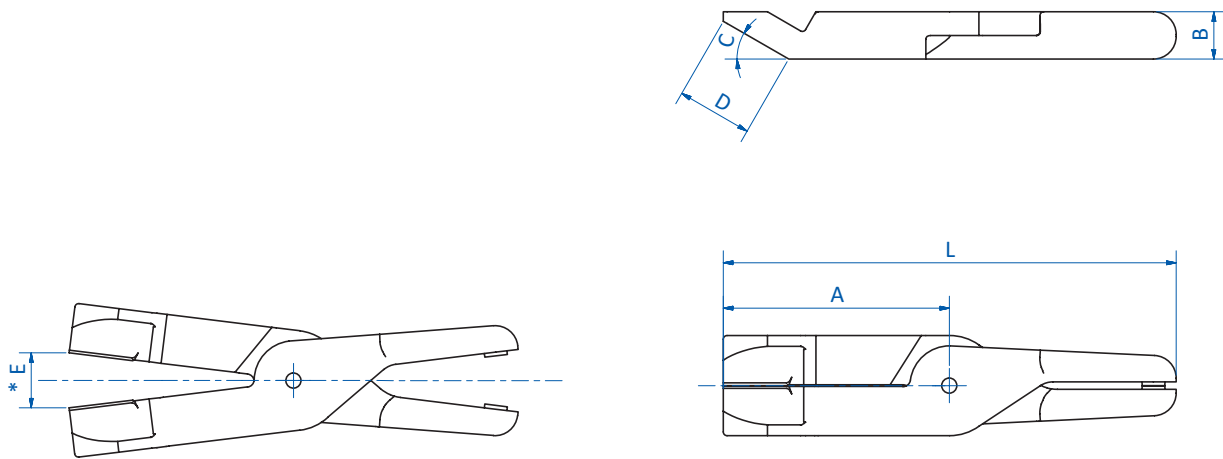
- > Blades with angled cutting edge
- > Model PF: blades with deep angle
- > All other blades with standard angle

### Technical data

Item no.	Material	Max. cutting thickness [mm]		Weight [g]	Air nippers
		PP/PE	ABS		
<b>N50ABH41</b>	HSS steel	18	8	1,000	GT-N50 (p.288), GT-NR50 (p.286)



## Dimensions



**N50ABH41**

\* = width of opening

Item no.	A [mm]	B [mm]	C [°]	D [mm]	E [mm]	L [mm]
----------	--------	--------	-------	--------	--------	--------

<b>N50ABH41</b>	119.6	25	30	40	29	239.6
-----------------	-------	----	----	----	----	-------