



Nipper technology | Air nippers – stationary

Blades for plastic, for vertical air nippers, straight

Blades for plastic, for vertical air nippers, straight



Product notes

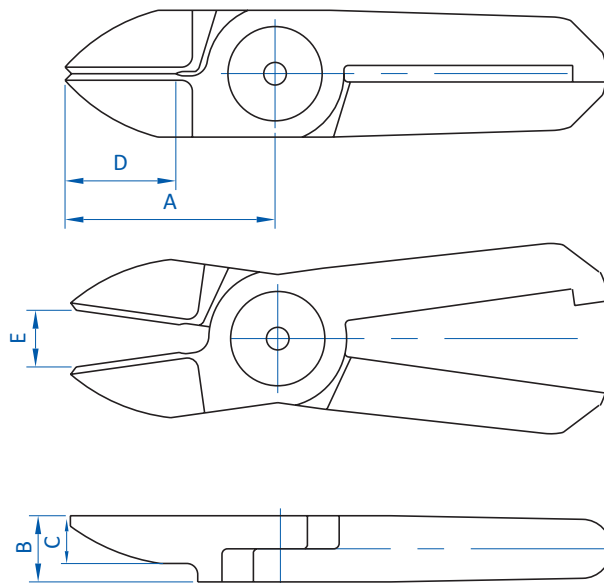
- > Straight blades that can be applied at the right angle to the gate
- > Models with a variety of cutting edges to cover different applications
- > AJ: standard blade
- > AJT: blade extra thin
- > AJL: blade extra long to overcome distance between sprue and nipper
- > AJB: brazed carbide tips for cutting hard plastics or plastics containing fiberglass, increased durability
- > AJH: brazed high-speed steel tip for cutting hard plastic

Technical data

| Item no. | Material | Max. cutting thickness [mm] | | Weight [g] | Air nippers |
|----------|----------------|-----------------------------|-----|------------|-------------|
| | | PP/PE | ABS | | |
| NE05AJ | Ferrous alloy | 2.5 | 1.5 | 35 | GT-NT05 |
| NT05AJ | Ferrous alloy | 2.5 | 1.5 | 30 | GT-NT05 |
| NT05AJB | Sintered alloy | 2.5 | 1.5 | 30 | GT-NT05 |
| NT05AJH | HSS steel | 2.5 | 1.5 | 30 | GT-NT05 |
| NT05AJL | Ferrous alloy | 2.5 | 1.5 | 39 | GT-NT05 |
| NT05AJT | Ferrous alloy | 2.5 | 1.5 | 29 | GT-NT05 |



Dimensions



| Item no. | A [mm] | B [mm] | C [mm] | D [mm] | E [mm] |
|----------|--------|--------|--------|--------|--------|
| NE05AJ | 24 | 7 | 3.5 | 12 | 6 |
| NT05AJ | 29 | 7 | 5 | 15 | 6 |
| NT05AJB | 29 | 7 | 5 | 15 | 6 |
| NT05AJH | 29 | 7 | 5 | 15 | 6 |
| NT05AJL | 36 | 7 | 5 | 15 | 7 |
| NT05AJT | 29 | 7 | 3 | 15 | 6 |