



# Nipper technology | Air nippers – stationary

Blades for plastic, for vertical air nippers, straight

Blades for plastic, for vertical air nippers, straight



## Product notes

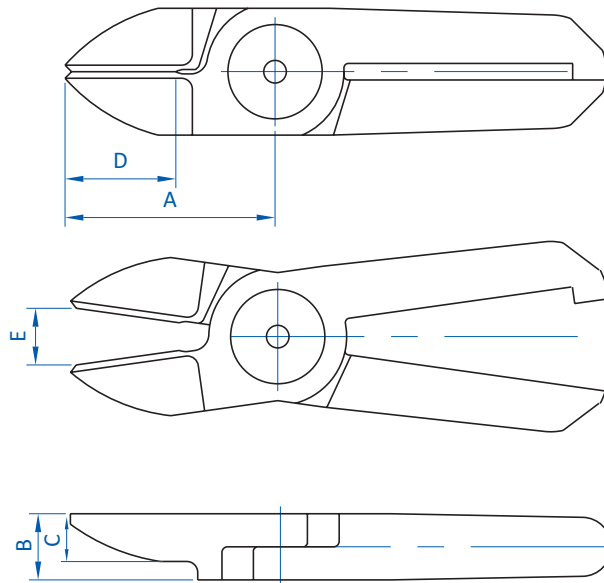
- > Straight blades that can be applied at the right angle to the gate
- > Models with a variety of cutting edges to cover different applications
- > AJ: standard blade
- > AJT: blade extra thin
- > AJL: blade extra long to overcome distance between sprue and nipper
- > AJB: brazed carbide tips for cutting hard plastics or plastics containing fiberglass, increased durability
- > AJH: brazed high-speed steel tip for cutting hard plastic

## Technical data

Item no.	Material	Max. cutting thickness [mm]		Weight [g]	Air nippers
		PP/PE	ABS		
NE10AJ	Ferrous alloy	3.5	2.3	70	GT-NT10
NT10AJ	Ferrous alloy	3.5	2.3	62	GT-NT10
NT10AJB	Sintered alloy	3.5	2.3	76	GT-NT10
NT10AJH	HSS steel	3.5	2.3	76	GT-NT10
NT10AJL	Ferrous alloy	3.5	2.3	62	GT-NT10
NT10AJT	Ferrous alloy	3.5	2.3	65	GT-NT10



## Dimensions



Item no.	A [mm]	B [mm]	C [mm]	D [mm]	E [mm]
----------	--------	--------	--------	--------	--------

NE10AJ	27	9	4,5	12	7
NT10AJ	35	9	6	17	7
NT10AJB	35	9	6	17	7
NT10AJH	35	9	6	17	7
NT10AJL	47	9	6	17	9
NT10AJT	35	9	4	17	7