



Blades for plastic, Z-shape



Product notes

- > Blades with offset cutting edge for overcoming obstacles or for narrow sprues
- > AH: standard blade
- > RAH: reverse cutting edge if cutting flush to workpiece with blade "AH" is not possible

Technical data

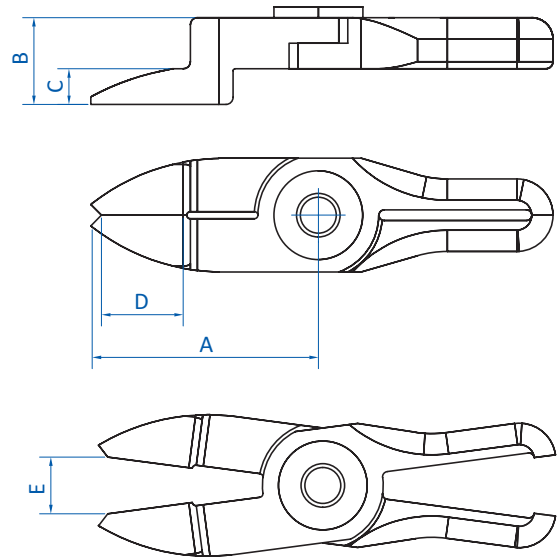
Item no.	Material	Max. cutting thickness [mm]		Weight [g]	Air nippers
		PP/PE	ABS		
NY15RAH	Ferrous alloy	4	2.6	52	GT-NF15 GT-NY15R-4 GT-NY15R



Nipper technology | Air nippers – stationary

Blades for plastic, Z-shape

Dimensions



Item no.	A [mm]	B [mm]	C [mm]	D [mm]	E [mm]
NY15RAH	35	7.7	5.5	15	9