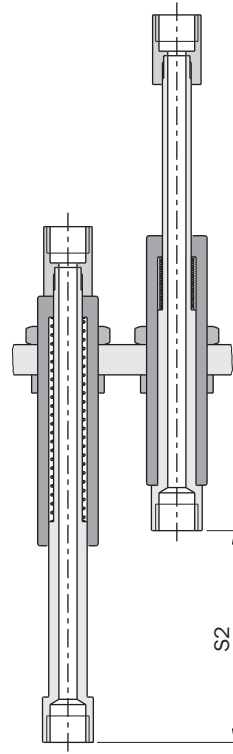
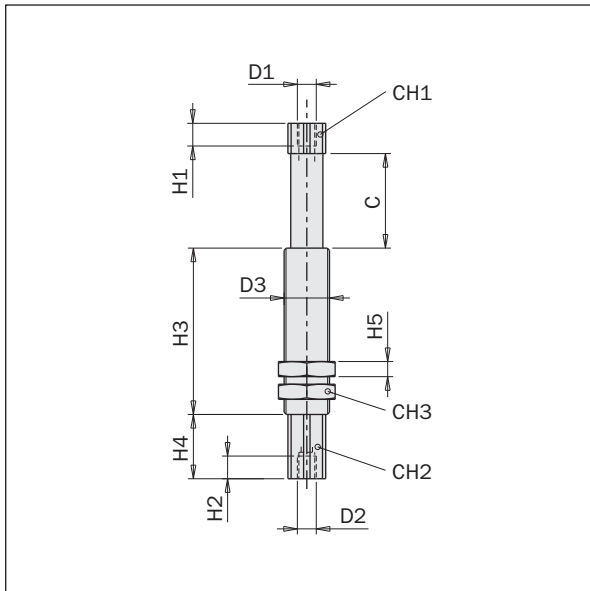


Rotative stainless suspensions with threaded body

- Body, rod and spring in stainless steel.
- Rotative rod.
- FDA-H1 food-grade grease.
- Pressure range: -1 ÷ 8 bar.



VSRTG



	VSRTG1225	VSRTG1635	VSRTG2050	VSRTG2580
H [mm]	94	127.5	170.5	249
H1 [mm]	5.5	9	10	11
H2 [mm]	5.5	7	10	11
H3 [mm]	44	58.5	82.5	121
H4 [mm]	17	20	23	33
H5 [mm]	4	5	6	8
D1	M5	G1/8"	G1/4"	G3/8"
D2	M5	G1/8"	G1/4"	G3/8"
D3	M12x1	M16x1	M20x1.5	M25x1.5
CH1 [mm]	10	12	16	23
CH2 [mm]	10	12	16	23
CH3 [mm]	15	19	24	32
C [mm]	25	35	50	80
S2 [mm]	25	35	50	80
d [mm]	0	0	0	0
K [N/mm]	0.108	0.137	0.129	0.119
R1 [N]	2.112	4.325	4.452	6.005
R2 [N]	4.820	9.132	10.90	15.52
m [g]	50	110	220	560