



#### Benefits RMF 'Air conditioner'

- ▶ Reducing water contamination level prolongs the life of the additive package and reduces oxidation of the oil and bearing surfaces.
- ▶ Eliminates rusting due to condensation.
- ▶ Reduces machine downtime.
- ▶ Extends the machine's useful life.
- ▶ Reduces cost of ownership.

## Air conditioners

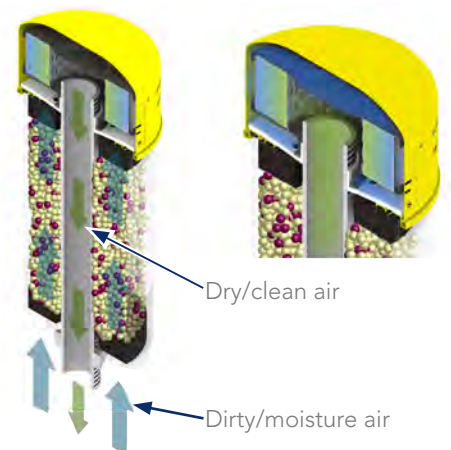
### CONDENSATION IN RESERVOIRS

HYDRAULIC AND LUBRICATING OILS MUST BE KEPT FREE FROM CONTAMINATION AND WATER. MOST FLUID RESERVOIRS MUST BE ABLE TO BREATHE, THUS ALLOWING WATER VAPOUR AND SOLID CONTAMINANTS TO ENTER. TEMPERATURE FLUCTUATIONS IN THE RESERVOIR WILL CAUSE THIS WATER VAPOUR TO CONDENSE WHICH WILL NOT ONLY CAUSE OXIDATION OF THE OIL, BUT CAN ALSO LEAD TO CONSIDERABLE MECHANICAL DAMAGE.

#### FILTRATION AND DRYING A SINGLE PROCESS

Standard air breathers remove some of the solid particles but allow water vapour in the air to pass freely. The RMF 'Air conditioner' deals effectively with both so reservoirs can breath clean, dry air. The air is first dried by passage through a column packed with Z-R gel granules. The dried air is then passed through a pleated synthetic fibre filter element (replaceable spin-on type) where solid particles are

removed, so that the air reaching the reservoir is both clean and dry.



# Air conditioners Specifications

## LIGHT VERSION SERIES ACL..R / ACM..R

TYPE	ACL93R (C)	ACL96R (C), (V)	ACM61R
Total weight	0.9 kg	1.1 kg	0.4 kg
Z-R gel volume	300 cc	600 cc	100 cc
Water absorption	86 gram	172 gram	29 gram
Max. air flow	700 l/min	700 l/min (300 l/min)	50 l/min
Absorption material	Z-R gel 3-6 mm		
Z-R gel	Non toxic		

## HEAVY DUTY SERIES KL..R

TYPE	KL93R (C)	KL96R (C), (V)	KL121R (C), (V)	KL122R (C), (V)
Total weight	1.2 kg	1.5 kg	2.7 kg	4.0 kg
Z-R gel volume	300 cc	600 cc	1.000 cc	2.000 cc
Water absorption	86 gram	172 gram	288 gram	576 gram
Max. air flow	700 l/min	700 l/min (300 l/min)	1.500 l/min (400 l/min)	1.500 l/min (400 l/min)
Absorption material	Z-R gel 3-6 mm			
Z-R gel	Non toxic			

\* C - Active coal, V - Check Valves

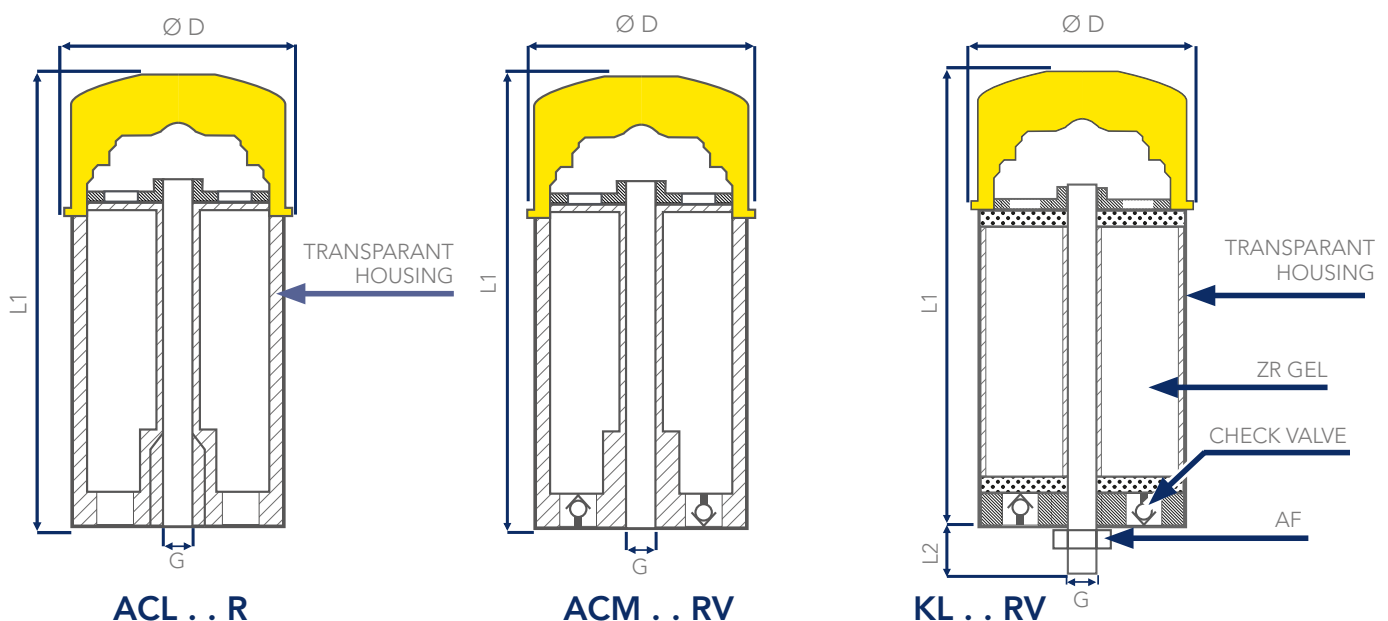
## DIMENSIONS

### LIGHT VERSION SERIES ACL..R / ACM..R

DIMENSIONS	ACL93R (V)	ACL96R (C), (V)	ACM61R
L1	150 mm	210 mm	135 mm
Ø D	96 mm	96 mm	68 mm
G	¾" BSP female	¾" BSP female	¾" BSP female

### HEAVY DUTY SERIES KL..R

DIMENSIONS	KL93R (C), (V)	KL96R (C), (V)	KL121R (C), (V)	KL122R (C), (V)
L1	155 mm	220 mm	250 mm	360 mm
L2	30 mm	30 mm	40 mm	40 mm
Ø D	96 mm	96 mm	128 mm	128 mm
G	¾" BSP male	¾" BSP male	1 ¼" BSP male	1 ¼" BSP male
AF	32 mm	32 mm	50 mm	50 mm



# Air conditioners **Ordering codes**

## YOUR AIRCONDITIONER ORDERING CODE

TABLE 1	TABLE 2	TABLE 3	TABLE 4

TABLE 1 - TYPE OF BODY			CODE
TYPE OF BODY	TANK CONNECTION	AIR FILTER	
Heavy duty version	Male threading on stainless steel tube	3μ fiber glass spin-on	KL
Light version (only in 93 and 96 series)	Female threading in plastic housing	3μ fiber glass spin-on	ACL
Mini light version (only in 60 series)	Female 3/8" threading in plastic housing with two integrated check valves (0.01 bar)	3μ fiber glass spin-on	ACM

TABLE 2 - SPECIFICATIONS						CODE
DIAMETER	HEIGHT	CONNECTION	WEIGHT	MAX. AIR FLOW STANDARD VERSION	RESTRICTED AIR FLOW WITH CHECK VALVES	
ONLY SUITABLE FOR KL SERIES						
Ø 96 mm	185 mm	3/4" BSP (male)	1.2 Kg	700 l/min	N.A.	93
Ø 96 mm	250 mm	3/4" BSP (male)	1.5 Kg	700 l/min	300 l/min	96
Ø 128 mm	290 mm	1 1/4" BSP (male)	2.7 Kg	1500 l/min	400 l/min	121
Ø 128 mm	400 mm	1 1/4" BSP (male)	4.0 Kg	1500 l/min	400 l/min	122
ONLY SUITABLE FOR ACL SERIES						
Ø 96 mm	150 mm	3/4" BSP (female)	0.9 Kg	700 l/min	N.A.	93
Ø 96 mm	210 mm	3/4" BSP (female)	1.1 Kg	700 l/min	300 l/min	96
ONLY SUITABLE FOR ACM SERIES						
Ø 68 mm	135 mm	3/8" BSP (female)	0.4 Kg	N.A.	50 l/min	61

TABLE 3 - SPECIFICATIONS				CODE
TYPE	DRYING AGENT	DESSICANT VOLUME	NOMINAL WATER ABSORBING CAPACITY	
61	ZR gel	100 cc	29 grams	R
93	ZR gel	300 cc	86 grams	R
96	ZR gel	600 cc	172 grams	R
121	ZR gel	1000 cc	288 grams	R
122	ZR gel	2000 cc	576 grams	R
93	Approx. 2/3 ZR gel, 1/3 active coal	200 cc / 100 cc	57 grams	RC
96	Approx. 2/3 ZR gel, 1/3 active coal	400 cc / 200 cc	115 grams	RC
121	Approx. 2/3 ZR gel, 1/3 active coal	700 cc / 300 cc	201 grams	RC
122	Approx. 2/3 ZR gel, 1/3 active coal	1400 cc / 600 cc	403 grams	RC

TABLE 4 - OPTIONS		CODE
No check valves		-
Integrated check valves (0.01 bar), not available for 93 series. Note: restricted airflow		V

**Please note the following:**

Installing an Air Conditioner with springloaded check valves may cause an over- or under pressure of approximately 0.01 bar (10mbar) inside the reservoir.

# Ordering Code

## AIR CONDITIONERS SPARE PARTS AND ACCESSORIES

ACCESSORIES DESCRIPTION	ORDERING CODE			
	ACL93 AND KL93 SERIES	ACL96 AND KL96 SERIES	KL121 SERIES	KL122 SERIES
Filter minder (indicator + electr. contact and nipple)	9331303			
Filter minder connector (w/o cable) for use with 9331303	9331320			
Mounting plate	KL92			KL1202
Mounting plate + filter minder port	KL95			KL1205
Mounting plate + filter minder port + return port	KL91			KL1201
Mounting plate + filter minder port + suction and return port	KL91SR			N.A.
Barrel Adapter	KL75			N.A.
Pressurised Tank Adapter	KL98			N.A.
Mounting plate with check valves	N.A.			KL1200V
Oil-Demister small	140			N.A.
Oil-Demister large	210			N.A.
Pall to RMF Systems Adaptor	KL99			N.A.

ACCESSORIES DESCRIPTION	ORDERING CODE			
	ACL93 AND KL93 SERIES	ACL96 AND KL96 SERIES	KL121 SERIES	KL122 SERIES
Air filter only	KL90 (incl. seal)		KL120 (incl. seal)	
ZR gel refill in air tight container	KL/ACL 93 series refill ZR gel 300 cc	KL/ACL 96 series refill ZR gel 600 cc	KL121 series refill ZR gel 1000 cc	KL121 series refill ZR gel 2000 cc
ZR gel refill in air tight container	Refill ZR gel 4000 cc			
Active coal refill in air tight container <sup>1</sup>	300 cc	300 cc	300 cc	600 cc
Spare kit including ZR gel, air filter, seal and foam pads	Spare kit KL93R/ ACL93R	Spare kit KL96R/ ACL96R	Spare kit KL121R	Spare kit KL122R

<sup>1</sup> Please note that smallest Active coal refill available is 300 cc container. To be used for 93, 96 and 121 series