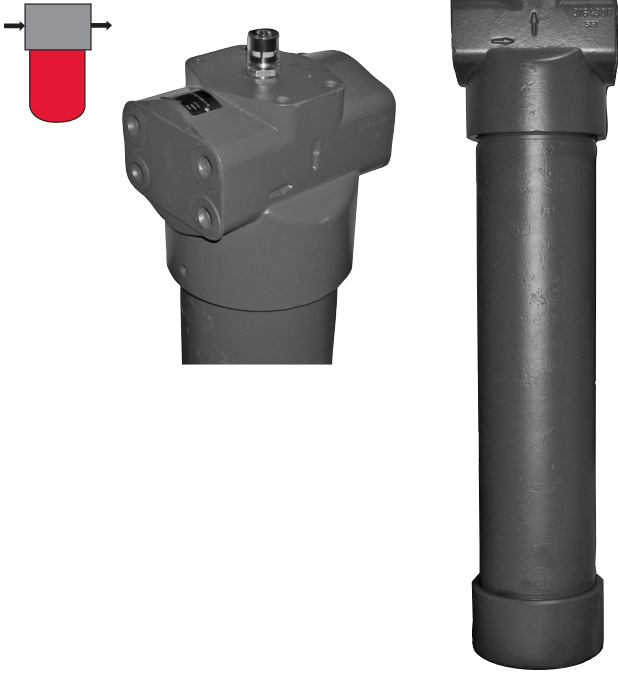


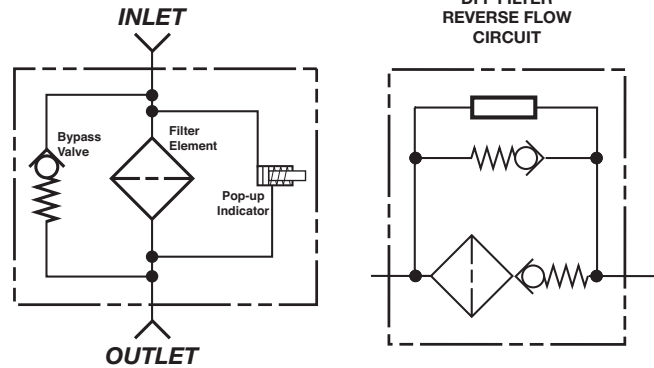
# DF/DFF 1500 Series

Inline Filters

6090 psi • up to 250 gpm



## Hydraulic Symbol



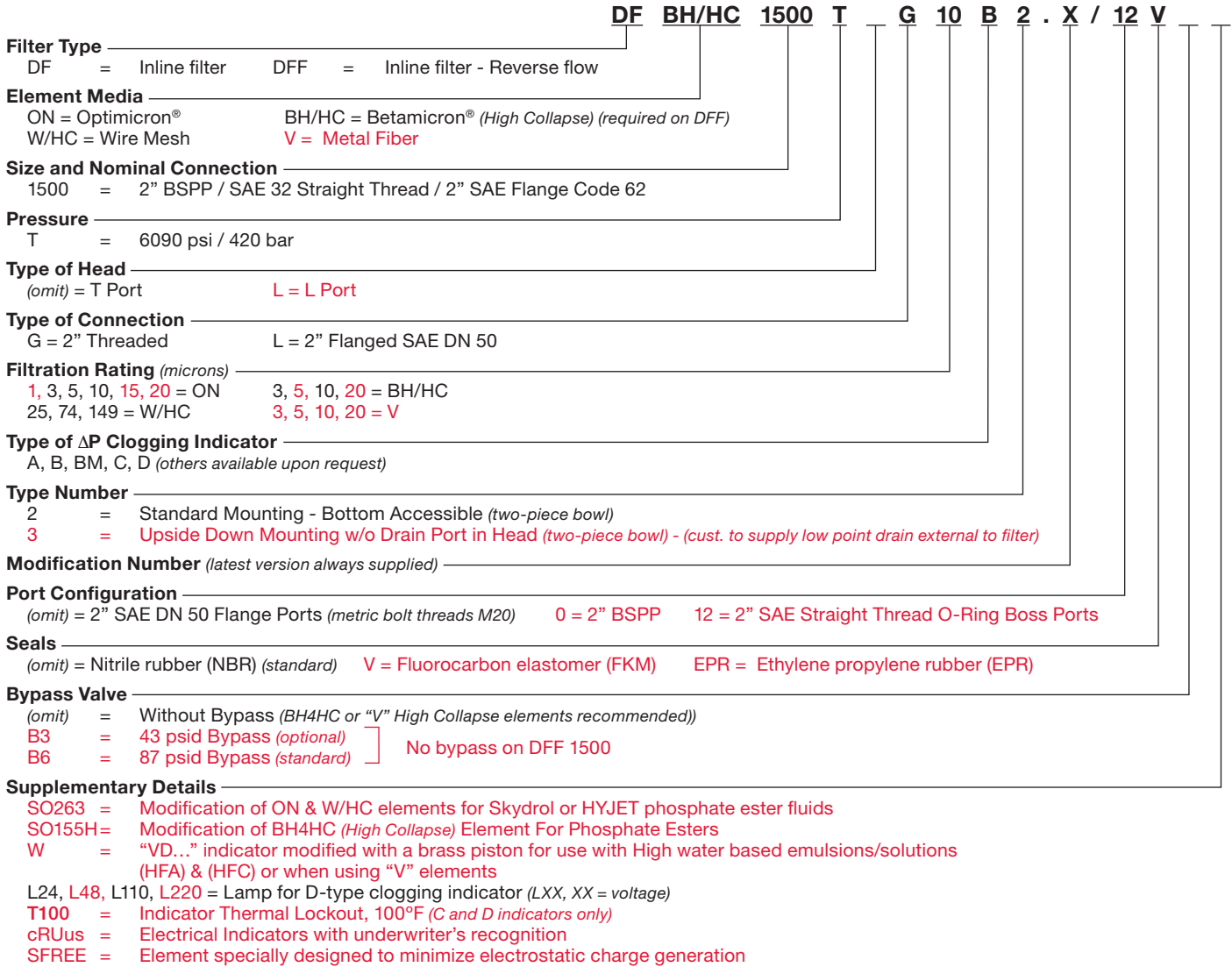
## Features

- Available in T ported or L ported configurations
- Handles high flows to 250 GPM (pricing competitive)
- Available in bidirectional flow and single flow configurations
- Two part bowl for ease of operation and element change-out
- Filter head made of ductile iron
- Filter housing (bowl) and lid made of steel
- Can mount head on top with bottom access (2.x) or head on bottom with top access (3.x)
- Single flow version (DF) can be supplied with bypass (located in head assembly).
- Bidirectional flow version (DFF) can only be supplied with no-bypass.

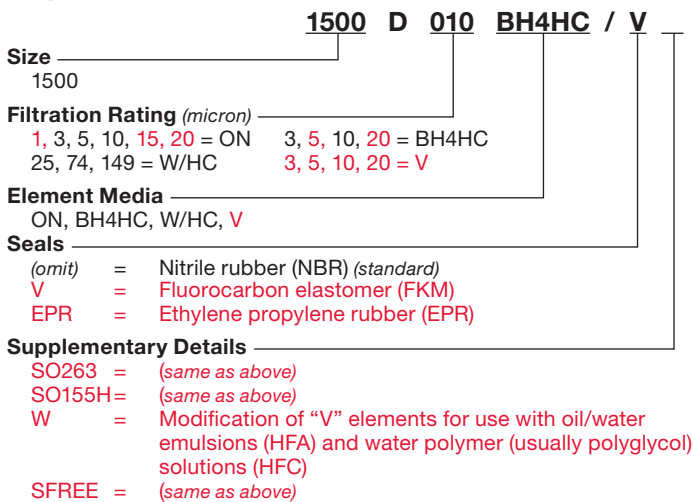
## Technical Specifications

<b>Mounting Method</b>	4 Mounting holes in the filter head - M-12 Threads
<b>Port Connection</b>	SAE-32 four bolt code 62 Flange (DN 50) with metric bolt threads (M20 x 30mm deep) 2" SAE 32 straight thread O-Ring Boss / 2" BSPP thread
<b>Flow Direction</b>	Side inlet and outlet - Indicator on top Side inlet and top outlet - Indicator on side
<b>Construction Materials</b>	Head: Ductile Iron (GGG40) Filter housing (bowl) & lid: Steel
<b>Flow Capacity</b>	250 gpm (950 lpm)
<b>Housing Pressure Rating</b>	Max. Allowable Working Pressure 6090 psi (420 bar) Fatigue Pressure 6090 psi (420 bar) @ 300,000 cycles Burst Pressure Contact HYDAC
<b>Element Collapse Pressure Rating</b>	ON, W/HC 290 psid (20 bar) BH4HC, V 3045 psid (210 bar)
<b>Fluid Temperature Range</b>	14°F to 212°F (-10°C to 100°C) Consult HYDAC for applications operating below 14°F (-10°C)
<b>Fluid Compatibility</b>	Compatible with all hydrocarbon based, synthetic, water glycol, oil/water emulsion, and high water based fluids when the appropriate seals are selected
<b>Indicator Trip Pressure</b>	$\Delta P = 29$ psid (2 bar) -10% $\Delta P = 72$ psid (5 bar) -10% $\Delta P = 116$ psid (8 bar) -10% (non-bypass)
<b>Bypass Valve Cracking Pressure</b>	$\Delta P = 43$ psid (3 bar) +10% $\Delta P = 87$ psid (6 bar) +10% Non Bypass Available

## Model Code



## Replacement Element Model Code



## Clogging Indicator Model Code

