

IRCXSERIES

INTERCHANGE > with similar product (Nordic interface)



Stucchi®



TECHNICAL FEATURES AND OPTIONS

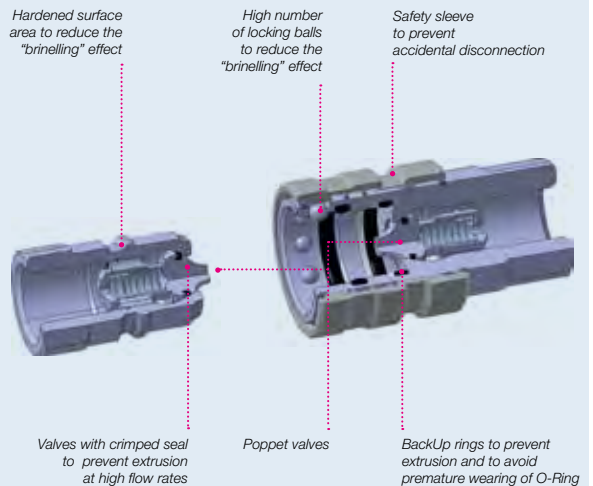
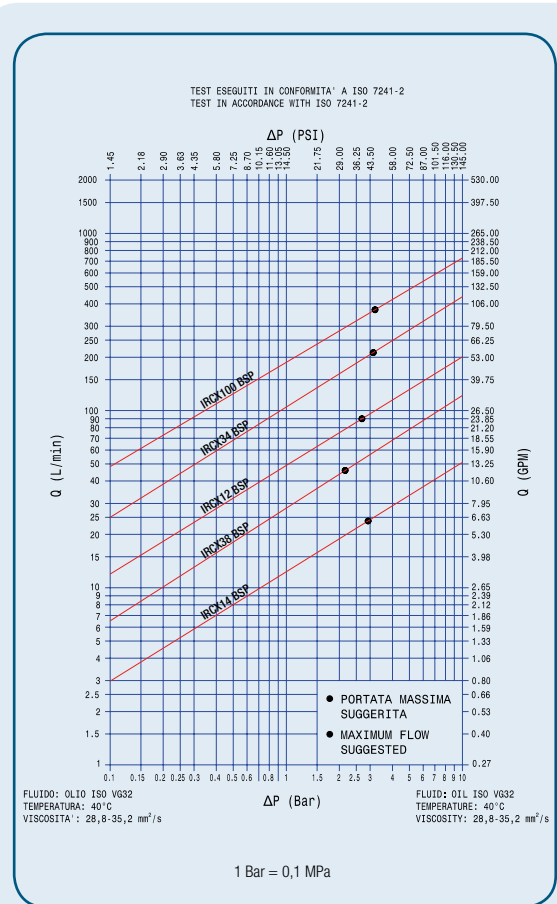
	Interchange With similar product (Nordic interface)		Sealing description VITON®		Connection system Single acting sleeve
	Available sizes From 1/4" to 1"		Material Stainless steel (AISI 316L)		Available threads BSP
	Operating pressure Up to 300 bar		Locking mechanism Ball locking + safety sleeve		Flow rate Up to 378 L/Min
	Temperature (°C) -20° / +100°		Valving style Poppet		Connection under pressure Not allowed

BENEFITS

- The poppet valve with elastomer seal provides maximum sealing of the couplings once disconnected.
- O-Ring + BackUp ring for optimum protection sealing.
- Additional O-Ring for extra sealing capacity and to contain spray effect to avoid soil contamination.
- High durability.
- Reference products for tough applications, typically used in Nordic countries.
- Safety sleeve to prevent accidental disconnection.
- Shape of internal parts is optimized to reduce turbulence and pressure drop.
- High resistance to pressure impulses.
- Compact design.
- Simple to use.

HOW TO USE

- Before to connect, clean the mating surface of the couplings to avoid dirt inclusion in the circuit.
- To connect: pull back the sleeve of the female coupling, align the female with the male coupling and push one into the other until both halves are fully connected and release the sleeve.
- To avoid accidental disconnection rotate safety sleeve.
- To disconnect: unlock the safety sleeve and pull back the sleeve of the female coupling, pull out the mating half.



This image represents PC version (release pressure device system)

MAIN APPLICATIONS





PERFORMANCES

Size		Series/Size	Max. flow suggested		Connect force		Disconnect force		Spillage*
Inch	mm		l/min	GPM	N	lbf	N	lbf	ml
1/4	6,3	IRC14	24	6,36	60	13,48	30	6,74	1,1
3/8	10	IRC38	46	12,19	90	20,23	35	7,86	2,5
1/2	12,5	IRC12	90	23,85	120	26,97	35	7,86	3,5
3/4	20	IRC34	212	56,18	170	38,21	45	10,11	15
1	25	IRC100	378	100,17	210	47,20	45	10,11	18

Size	Series/Size	Max. operating pressure						Burst pressure					
		Coupled		Male		Female		Coupled		Male		Female	
Inch	Stainless steel	MPa	psi	MPa	psi	MPa	psi	MPa	psi	MPa	psi	MPa	psi
1/4	IRC14X	30	4350	30	4350	30	4350	120	17400	120	17400	120	17400
3/8	IRC38X	30	4350	25	3625	25	3625	120	17400	100	14500	100	14500
1/2	IRC12X	30	4350	25	3625	25	3625	120	17400	100	14500	100	14500
3/4	IRC34X	20	2900	20	2900	20	2900	80	11600	80	11600	80	11600
1	IRC100X	20	2900	15	2175	15	2175	80	11600	60	8700	60	8700

*Spillage is an indicative value of the fluid loss during disconnection (according to ISO norm test method)

Material:

- Construction: Stainless steel AISI 316L
- Springs: AISI 302
- Locking ball: AISI 316

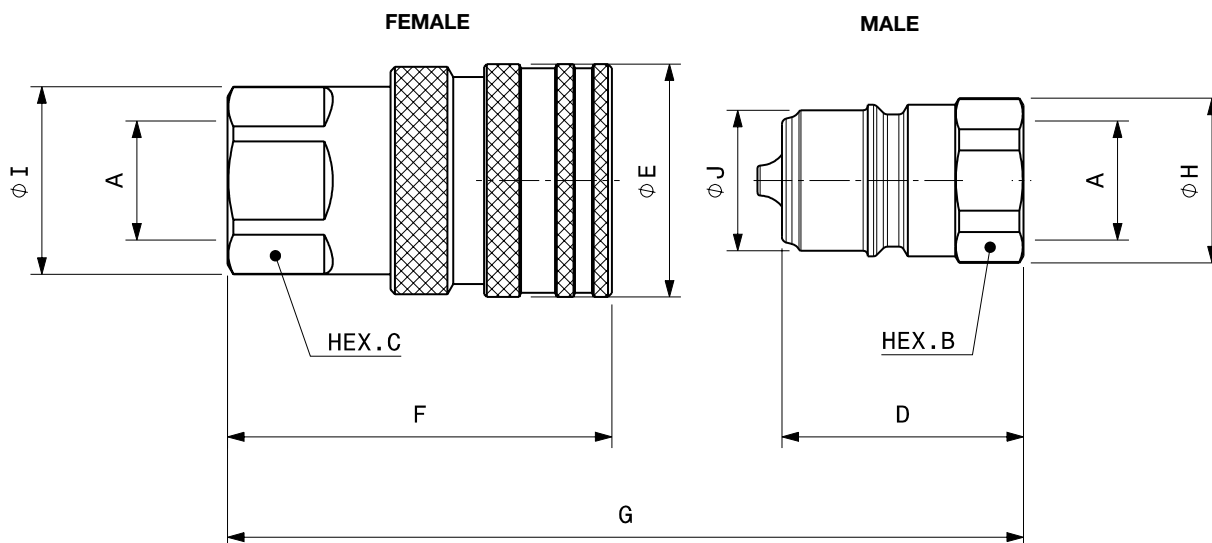
Temperature range:

Seals in VITON® (for IRC -X) : from -15°C to +180°C (from +5 °F to +356 °F).
Please read carefully "instruction and warning" for proper selection of the products.

Tests performed:

The couplings have been tested at max. operating pressure for 200.000 impulses according to ISO norm test method.

OVERALL DIMENSIONS



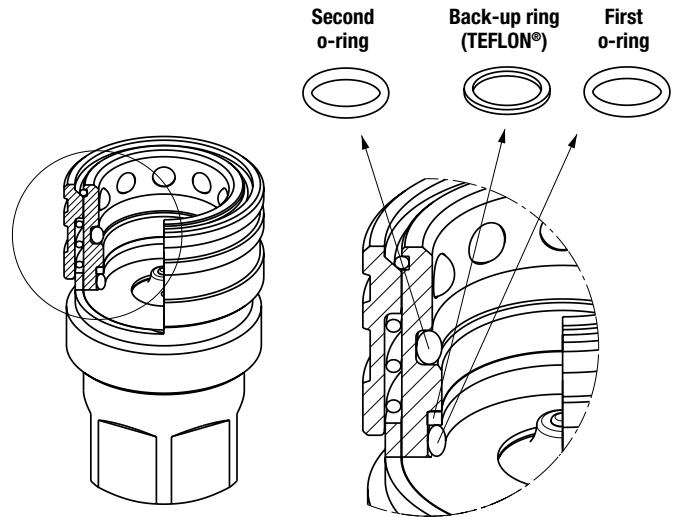
Port description: FEMALE THREAD BSPP (ISO 1179-1 & DIN 3852-2 form X)

BODY SIZE	Descriptive Code	Item Code	PORT (A)	Overall Length	Length		Hex		Diameter		Diameter		Weight							
					mm	inch	mm	inch	mm	inch	mm	inch	Kg	Lbs						
1/4"	F IRC14X BSP	Female 808900100	1/4"	G	81,7	3,22	F	61,6	2,36	C	24,0	0,83	I	26,0	0,83	E	35,0	1,02	0,15	0,32
	M IRC14X BSP	Male 808900101					D	38,0	1,90	B	22,0	0,75	H	24,0	0,83	J	19,9	0,47	0,05	0,11
3/8"	F IRC38X BSP	Female 808900102	3/8"	G	76,4	3,01	F	67,6	2,43	C	30,0	0,94	I	33,0	1,02	E	41,0	1,38	0,22	0,48
	M IRC38X BSP	Male 808900103					D	42,5	1,50	B	27,0	0,87	H	29,0	0,94	J	24,7	0,78	0,06	0,12
1/2"	F IRC12X BSP	Female 808900104	1/2"	G	85,2	3,35	F	76,2	2,66	C	38,0	1,18	I	41,6	1,30	E	52,0	1,61	0,33	0,72
	M IRC12X BSP	Male 808900105					D	47,0	1,67	B	36,0	1,06	H	39,0	1,14	J	32,7	0,97	0,10	0,21
3/4"	F IRC34X BSP	Female 808900106	3/4"	G	94,6	3,72	F	92,0	3,00	C	45,0	1,50	I	48,0	1,64	E	62,0	2,05	0,58	1,27
	M IRC34X BSP	Male 808900107					D	56,5	1,85	B	45,0	1,42	H	48,0	1,54	J	40,9	1,29	0,19	0,41
1"	F IRC100X BSP	Female 808900108	1"	G	113,4	4,46	F	92,0	3,62	C	45,0	1,77	I	48,0	1,89	E	62,0	2,44	0,97	2,14
	M IRC100X BSP	Male 808900109					D	56,5	2,22	B	45,0	1,77	H	48,0	1,89	J	40,9	1,61	0,35	0,77

SPARE PARTS: SEAL KIT FOR FEMALE

Repair kit / OR+BK			
Body Size	NBR Version	Description	Part Number
1/4"	F IRC14X		815700978
3/8"	F IRC38X		815700980
1/2"	F IRC12X		815700982
3/4"	F IRC34X		815700984
1"	F IRC100X		815700986

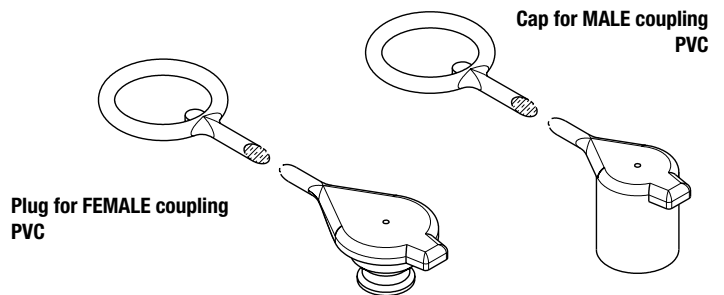
BackUp ring in Teflon®



PROTECTIVE CAPS FOR IRC SERIES

Protective caps are always recommended to protect the couplings from damage, dirt inclusion, and will increase the product life. This is particularly important in mobile applications where exposure to weather and aggregate materials are common.

The protective caps for IRC couplings are manufactured in PVC with connection lanyard.



Body Size/Description		Protective Cap		Material/Color
		Plug for Female	Cap for Male	
1/4"	IRC14	815009042	815009043	PVC/GREY
3/8"	IRC38	815009044	815009045	PVC/GREY
1/2"	IRC12	815009046	815009047	PVC/GREY
3/4"	IRC34	815009048	815009049	PVC/GREY
1"	IRC100	815009050	815009051	PVC/GREY