

rtc[®]

QUICK CONNECT TECHNOLOGY



M103

rtc TYPE

rtc Multicoupling systems



info@hidrafluid.es
976 24 32 10

rtc Multicoupling systems / rtc Multikupplungssysteme type M103



Type	Max. Working Pressure Max. Betriebsdruck	Max. Connection Pressure Max. Betriebsdruck	Flow size Nennweite	Connections Anschlüsse	Circuits Kreislauf
rtc M103.10	200 bar	20 bar	10	2 - 4 - 6 - 8	1 ↔ 1 2 ↔ 2 3 ↔ 3 4 ↔ 4

Temperature Range
-10°C +150°C (+14° +302°F) FPM (V)

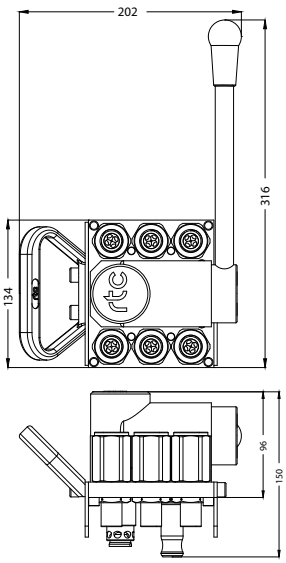
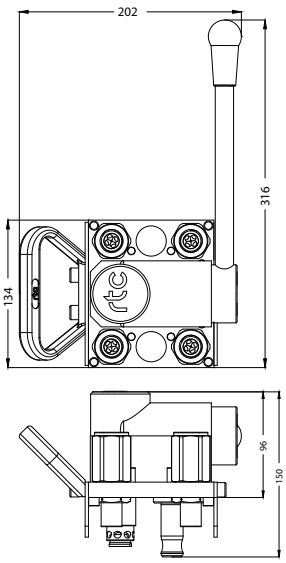
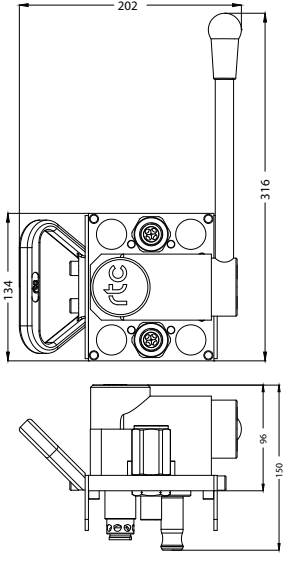


Specification

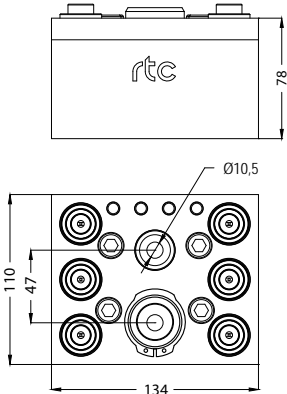
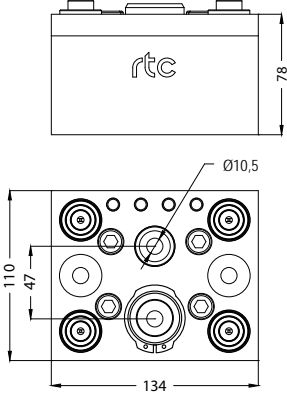
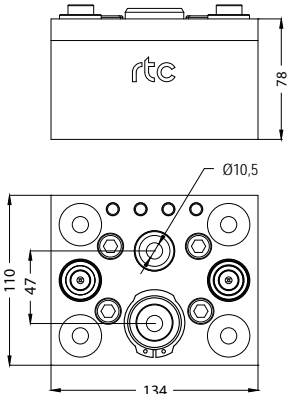
Connecting and disconnecting the circuits in one operation for quick mold change
Size Ø10
Compact design
Non spill
Code syst

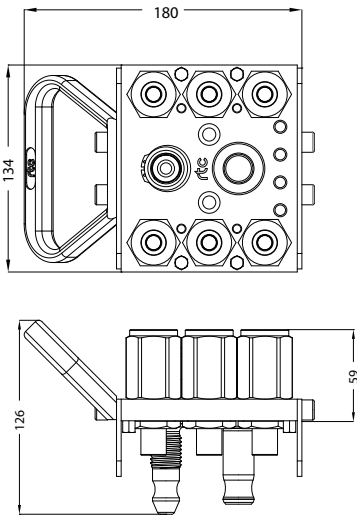
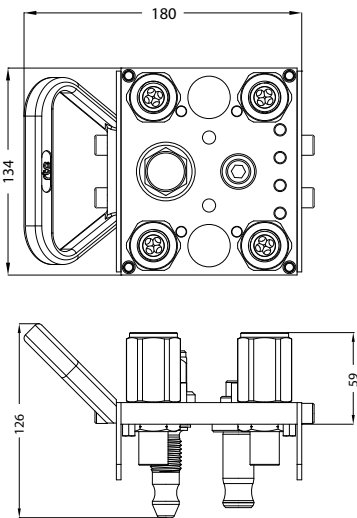
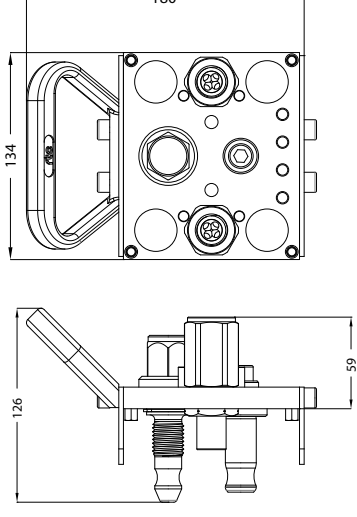
Applications

Aluminium die casting
Test units
Plastics industry / cooling heating
Core pullers

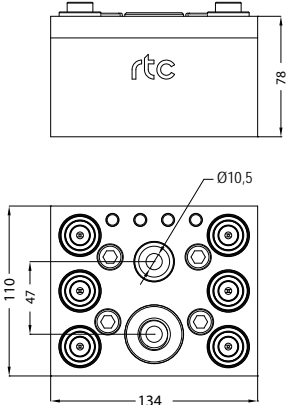
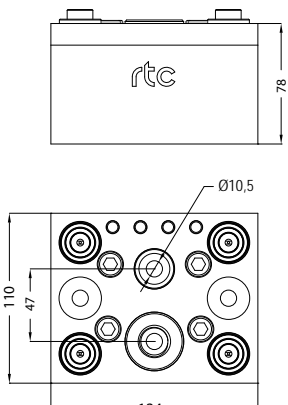
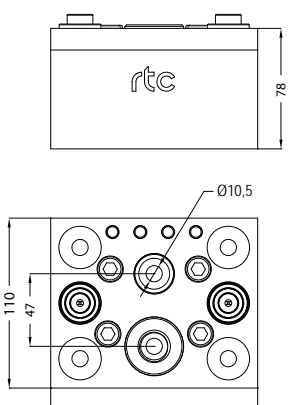
TYPE M 103.10	Mobile side with locking mechanism system	Item code		
<p>3 ↔ 3</p>		<p>Female thread</p>	<p>BSP 3/8 BSP 1/2 UNF 9/16-18 UNF 3/4-16 NPT 3/8 NPT 1/2</p>	<p>M 103.10-06 PFB 17 M 103.10-06 PFB 21 M 103.10-06 PUB 1418 M 103.10-06 PUB 1916 M 103.10-06 PNB 17 M 103.10-06 PNB 21</p>
<p>2 ↔ 2</p>		<p>Female thread</p>	<p>BSP 3/8 BSP 1/2 UNF 9/16-18 UNF 3/4-16 NPT 3/8 NPT 1/2</p>	<p>M 103.10-04 PFB 17 M 103.10-04 PFB 21 M 103.10-04 PUB 1418 M 103.10-04 PUB 1916 M 103.10-04 PNB 17 M 103.10-04 PNB 21</p>
<p>1 ↔ 1</p>		<p>Female thread Innengewinde</p>	<p>BSP 3/8 BSP 1/2 UNF 9/16-18 UNF 3/4-16 NPT 3/8 NPT 1/2</p>	<p>M 103.10-02 PFB 17 M 103.10-02 PFB 21 M 103.10-02 PUB 1418 M 103.10-02 PUB 1916 M 103.10-02 PNB 17 M 103.10-02 PNB 21</p>



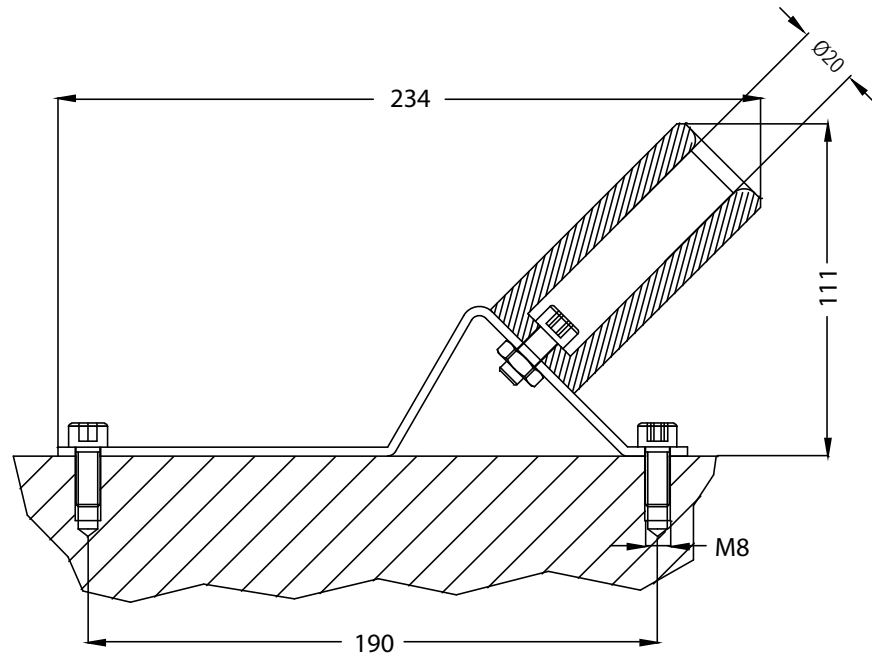
TYPE K 103.10	Mould side	Item code	
<p>3 ↔ 3</p>		<p>Female thread</p>	<p>BSP 3/8 BSP 1/2 UNF 9/16-18 UNF 3/4-16 NPT 3/8 NPT 1/2</p> <p>K 103.10-06 SAB 17 K 103.10-06 SAB 21 K 103.10-06 SAB 1418 U K 103.10-06 SAB 1916 U K 103.10-06 SAB 17 N K 103.10-06 SAB 21 N</p>
<p>2 ↔ 2</p>		<p>Female thread</p>	<p>BSP 3/8 BSP 1/2 UNF 9/16-18 UNF 3/4-16 NPT 3/8 NPT 1/2</p> <p>K 103.10-04 SAB 17 K 103.10-04 SAB 21 K 103.10-04 SAB 1418 U K 103.10-04 SAB 1916 U K 103.10-04 SAB 17 N K 103.10-04 SAB 21 N</p>
<p>1 ↔ 1</p>		<p>Female thread</p>	<p>BSP 3/8 BSP 1/2 UNF 9/16-18 UNF 3/4-16 NPT 3/8 NPT 1/2</p> <p>K 103.10-02 SAB 17 K 103.10-02 SAB 21 K 103.10-02 SAB 1418 U K 103.10-02 SAB 1916 U K 103.10-02 SAB 17 N K 103.10-02 SAB 21 N</p>

TYPE M 103.10	Mobile side with locking screw	Item code	
<p>3 ↔ 3</p>		<p>Female thread</p>	<p>BSP 3/8 BSP 1/2 UNF 9/16-18 UNF 3/4-16 NPT 3/8 NPT 1/2</p> <p>M 103.10-06 PFB 17 LP M 103.10-06 PFB 21 LP M 103.10-06 PUB 1418 LP M 103.10-06 PUB 1916 LP M 103.10-06 PNB 17 LP M 103.10-06 PNB 21 LP</p>
<p>2 ↔ 2</p>		<p>Female thread</p>	<p>BSP 3/8 BSP 1/2 UNF 9/16-18 UNF 3/4-16 NPT 3/8 NPT 1/2</p> <p>M 103.10-04 PFB 17 LP M 103.10-04 PFB 21 LP M 103.10-04 PUB 1418 LP M 103.10-04 PUB 1916 LP M 103.10-04 PNB 17 LP M 103.10-04 PNB 21 LP</p>
<p>1 ↔ 1</p>		<p>Female thread</p>	<p>BSP 3/8 BSP 1/2 UNF 9/16-18 UNF 3/4-16 NPT 3/8 NPT 1/2</p> <p>M 103.10-02 PFB 17 LP M 103.10-02 PFB 21 LP M 103.10-02 PUB 1418 LP M 103.10-02 PUB 1916 LP M 103.10-02 PNB 17 LP M 103.10-02 PNB 21 LP</p>



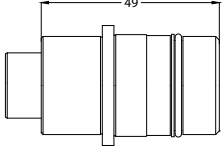
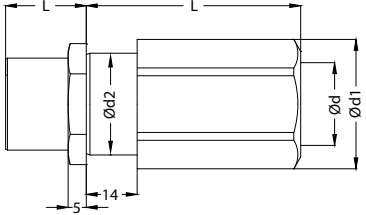
TYPE K 103.10	Mould side with locking nut	Item code	
<p>3 ↔ 3</p> 		<p>Female thread</p>	<p>BSP 3/8 BSP 1/2 UNF 9/16-18 UNF 3/4-16 NPT 3/8 NPT 1/2</p> <p>K 103.10-06 SAB 17 LN K 103.10-06 SAB 21 LN K 103.10-06 SAB 1418 U LN K 103.10-06 SAB 1916 U LN K 103.10-06 SAB 17 N LN K 103.10-06 SAB 21 N LN</p>
<p>2 ↔ 2</p> 		<p>Female thread</p>	<p>BSP 3/8 BSP 1/2 UNF 9/16-18 UNF 3/4-16 NPT 3/8 NPT 1/2</p> <p>K 103.10-04 SAB 17 LN K 103.10-04 SAB 21 LN K 103.10-04 SAB 1418 U LN K 103.10-04 SAB 1916 U LN K 103.10-04 SAB 17 N LN K 103.10-04 SAB 21 N LN</p>
<p>1 ↔ 1</p> 		<p>Female thread</p>	<p>BSP 3/8 BSP 1/2 UNF 9/16-18 UNF 3/4-16 NPT 3/8 NPT 1/2</p> <p>K 103.10-02 SAB 17 LN K 103.10-02 SAB 21 LN K 103.10-02 SAB 1418 U LN K 103.10-02 SAB 1916 U LN K 103.10-02 SAB 17 N LN K 103.10-02 SAB 21 N LN</p>

TYPE M 103	Parking plate			Item code
		For mobile side	For M 103.10 Für M 103.10	M 104.08-06 PP



TYPE M 103	Parking plate			
------------	---------------	--	--	--



TYPE M 103.10	Sockets			Item code / Artikelnummer
		Assembling socket	Ø10 mm	M 103.10 SAB 00
		Female thread	BSP 3/8 BSP 1/2 UNF 9/16-18 UNF 3/4-16 NPT 3/8 NPT 1/2	M 103.10 PMB 17 M 103.10 PMB 21 M 103.10 PFB 1418 M 103.10 PUB 1916 M 103.10 PNB 17 M 103.10 PNB 21
			