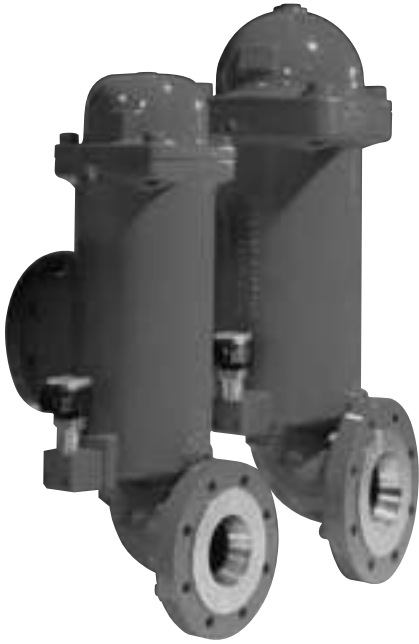
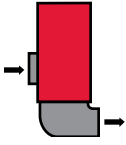


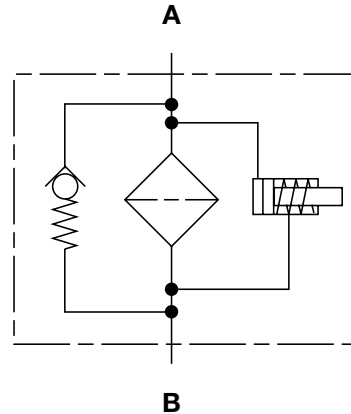
# RFL Cast Series

## Inline Filters

360 psi • up to 350 gpm



## Hydraulic Symbol



## Features

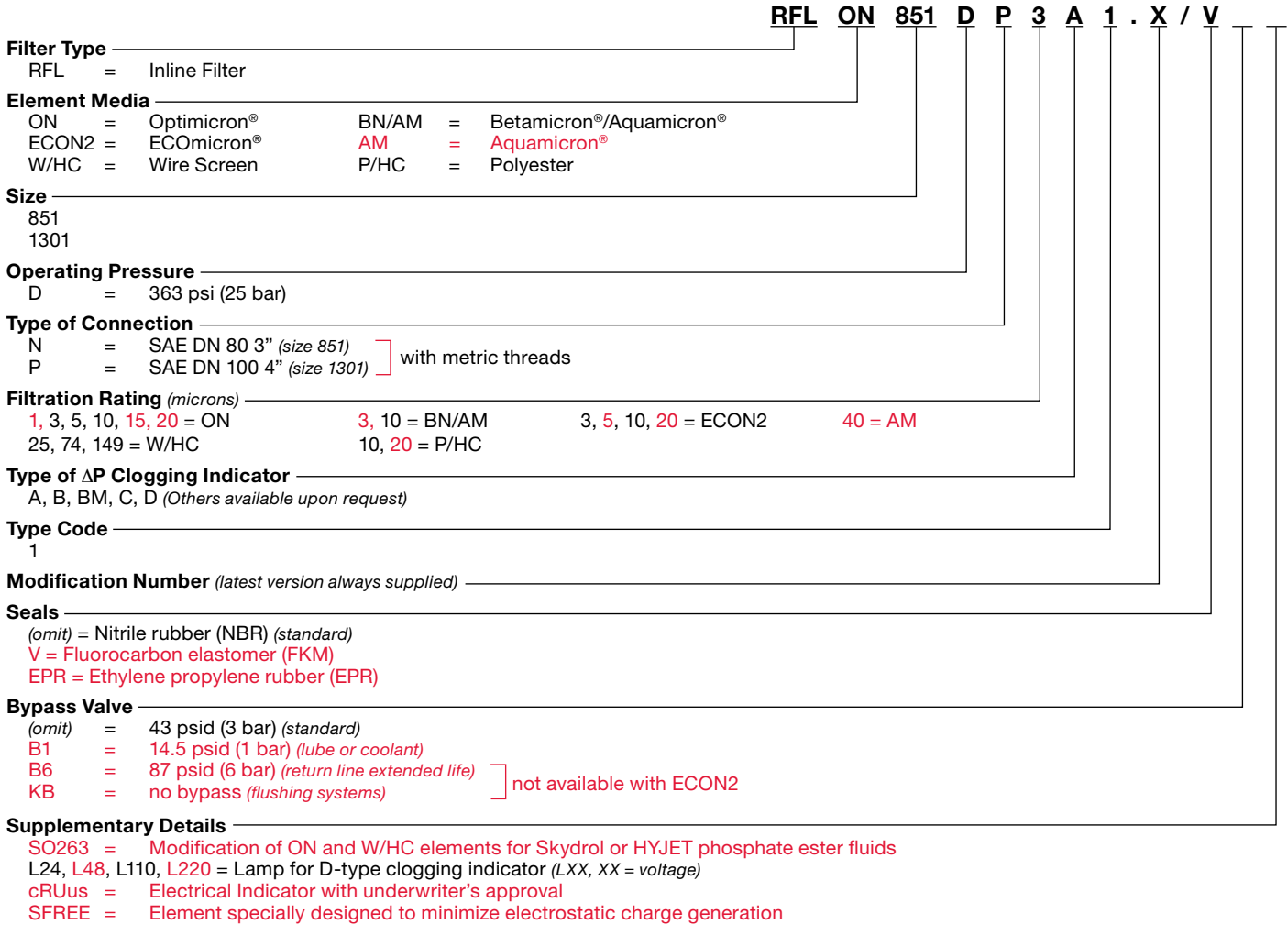
- Models 851 and 1301 are made of ductile cast iron and consist of a two part filter housing with bolt-on cast iron lid. The two part construction makes it possible to arrange the inlet and outlet either one above the other on one side or, by turning the base part 180°, on opposite sides of the housing.
- Inlet/outlet ports for models 851 and 1301 comply with SAE 4-bolt flange Code 61 configuration.
- Clogging indicators have no external dynamic seal. High reliability is achieved and magnetic actuation eliminates a leak point.

Note: This filter is configured with an .....R.... type (return/low pressure) element, so if the filter requires a bypass, the bypass is located in the closed end cap of the cartridge element.

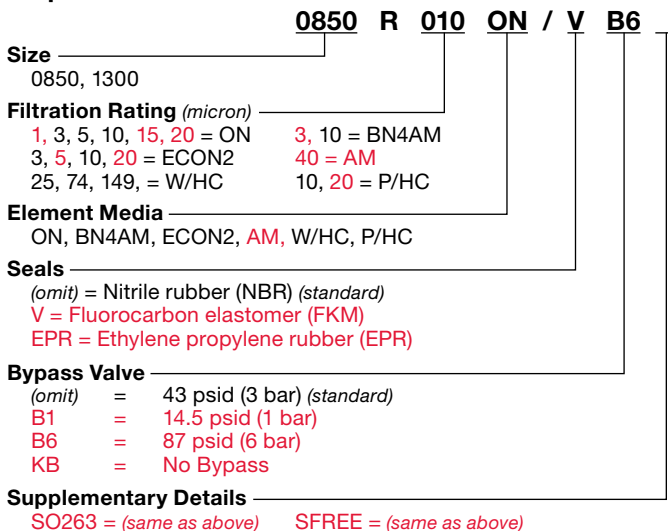
## Technical Specifications

<b>Mounting Method</b>	Support by means of pipe clamps
<b>Port Connection</b>	3" SAE DN 80 Flange 4" SAE DN 100 Flange
<b>Flow Direction</b>	Inlet: Side    Outlet: Side
<b>Construction Materials</b>	Head, Lid, Elbow    Ductile iron
<b>Flow Capacity</b>	851    225 gpm (850 lpm) 1301    343 gpm (1300 lpm)
<b>Housing Pressure Rating</b>	Max. Allowable Working Pressure    360 psi (25 bar) Fatigue Pressure    360 psi (25 bar) Burst Pressure    > 1440 psi (100 bar)
<b>Element Collapse Pressure Rating</b>	ON, W/HC    290 psid (20 bar) BN4AM, ECON2, AM, P/HC    145 psid (10 bar)
<b>Fluid Temperature Range</b>	14°F to 212°F (-10°C to 100°C) Consult HYDAC for applications below 14°F (-10°C)
<b>Fluid Compatibility</b>	Compatible with all hydrocarbon based, synthetic, water glycol, oil/water emulsion, and high water based fluids when the appropriate seals are selected.
<b>Indicator Trip Pressure</b>	$\Delta P = 29$ psid (2 bar) -10% $\Delta P = 72$ psid (5 bar) -10%
<b>Bypass Valve Cracking Pressure</b>	$\Delta P = 43$ psid (3 bar) +10% $\Delta P = 87$ psid (6 bar) +10%

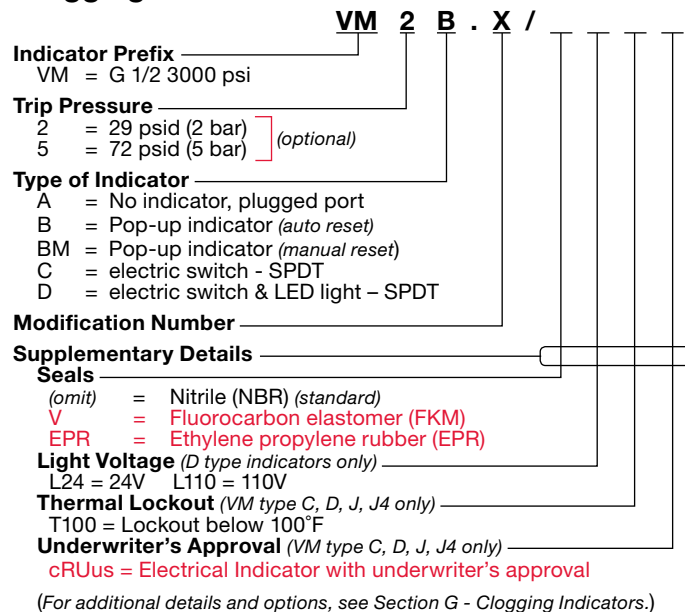
## Model Code



## Replacement Element Model Code



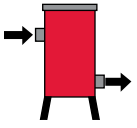
## Clogging Indicator Model Code



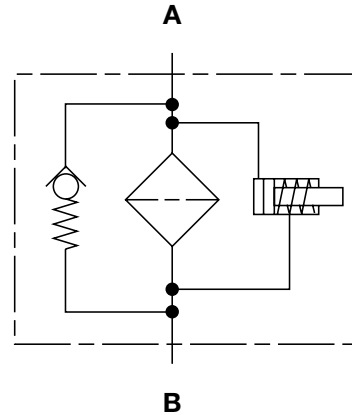
# RFL Welded Series

## Inline Filters

230 psi • up to 3900 gpm



## Hydraulic Symbol



## Features

- Models 1300 to 15000 are made of rolled steel housings with bolt-on steel lids; Stainless steel models are available.
- ANSI flange connections for each filter size provide maximum connection flexibility eliminating additional adapters and intermediate flanges.
- Inlet and outlet connections are located on opposite sides of the housings.
- Clogging indicators have no external dynamic seal. High reliability is achieved and magnetic actuation eliminates a leak point.

Notes: This filter is configured with an .....R..... type (return/low pressure) element, so if the filter requires a bypass, the bypass is located in the closed end cap of the cartridge element.

Most states and local jurisdictions in the United States require pressure vessels to be ASME stamped. It is the responsibility of the end customer to research and fully understand the ASME code requirements of the jurisdiction this filter will ultimately be installed in, and to fully communicate these requirements to HYDAC.

## Technical Specifications

<b>Mounting Method</b>	Floor mounted legs
<b>Port Connection</b>	<b>Typical Connections</b>
1300/1320	4" ANSI 150# Flange
2500/2520	6" ANSI 150# Flange
4000/4020	8" ANSI 150# Flange
5200 - 7820	10" ANSI 150# Flange
15000/15020	12" ANSI 150# Flange
<b>Flow Direction</b>	Inlet & Outlet: Side
<b>Construction Materials</b>	
Housing, Lid	Steel
Note: Please contact HYDAC for available stainless steel models.	
<b>Flow Capacity</b>	
1300/1320	350 gpm (1300 lpm)
2500/2520	650 gpm (2500 lpm)
4000/4020	1050 gpm (4000 lpm)
5200/5220	1400 gpm (5200 lpm)
6500/6520	1700 gpm (6500 lpm)
7800/7820	2050 gpm (7800 lpm)
15000/15020	4000 gpm (15000 lpm)
<b>Housing Pressure Rating</b>	
Max. Allowable Working Pressure	150 psi (10 bar) <i>(standard)</i> 232 psi (16 bar) <i>(optional)</i>
Fatigue Pressure	Contact HYDAC
Burst Pressure	Contact HYDAC
<b>Element Collapse Pressure Rating</b>	
ON, W/HC	290 psid (20 bar)
ECON2, BN4AM, AM, P/HC	145 psid (10 bar)
<b>Fluid Temperature Range</b>	14°F to 212°F (-10°C to 100°C)
Consult HYDAC for applications below 14°F (-10°C)	
<b>Fluid Compatibility</b>	Compatible with all hydrocarbon based, synthetic, water glycol, oil/water emulsion, and high water based fluids when the appropriate seals are selected.
<b>Indicator Trip Pressure</b>	
$\Delta P = 29$ psid (2 bar) -10% <i>(standard)</i>	
$\Delta P = 72$ psid (5 bar) -10% <i>(optional)</i>	
<b>Bypass Valve Cracking Pressure</b>	
$\Delta P = 43$ psid (3 bar) +10% <i>(standard)</i>	
$\Delta P = 87$ psid (6 bar) +10% <i>(optional)</i>	

# Model Code

RFL ON 1300 C T 10 D 1 . X / ZU 150 V DH-L110

## Filter Type

### Element Media

ON = Optimicron®      BN/AM = Betamicron®/Aquamicron®  
 ECON2 = ECOmicron®      AM = Aquamicron®  
 W/HC = Wire Mesh      P/HC = Polyester

### Size

1300/ 1320/ 2500/ 2520/ 4000/ 4020/ 5200/ 5220/  
 6500/ 6520/ 7800/ 7820/ 15000/ 15020

### Operating Pressure

B = 150 psi (10 bar)      C = 232 psi (16 bar)

### Type of Connection

#### ANSI Flange Ports

3 = 2" ANSI Flange (sz. 1300)  
 4 = 3" ANSI Flange (sz. 1300 - 2520)  
 5 = 4" ANSI Flange (sz. 1300 - 7820)  
 7 = 6" ANSI Flange (sz. 2500 - 7820)  
 8 = 8" ANSI Flange (sz. 4000 - 15020)  
 9 = 10" ANSI Flange (sz. 5200 - 15020)  
 10 = 12" ANSI Flange (sz. 15000 - 15020)

#### DIN DN Ports

L = DIN DN 50 2" Flange (sz. 1300)  
 Q = DIN DN 80 3" Flange (sz. 1300 - 2520)  
 R = DIN DN 100 4" Flange (sz. 1300 - 7820)  
 U = DIN DN 125 5" Flange (sz. 1320)  
 V = DIN DN 150 6" Flange (sz. 2500 - 7820)  
 W = DIN DN 200 8" Flange (sz. 4000 - 15020)  
 X = DIN DN 250 10" Flange (sz. 5200 - 15020)  
 Y = DIN DN 300 12" Flange (sz. 15000 - 15020)

### Filtration Rating (microns)

1, 3, 5, 10, 15, 20 = ON      3, 10 = BN/AM      3, 5, 10, 20 = ECON2  
 40 = AM      25, 74, 149 = W/HC      10, 20 = P/HC

### Type of ΔP Clogging Indicator

A, B, BM, C, D (Others available upon request)

### Type Code

1

### Modification Number (latest version always supplied)

### Country of Installation

(omit) = standard (non coded)      ZU = ASME Coded with "ASME" Stamp

### Flange

(omit) = DIN Flange Connection to DIN 2501/1      150 = 150 lbs ANSI Flange

### Seals

(omit) = Nitrile rubber (NBR) (standard)      V = Fluorocarbon elastomer (FKM)

### Bypass Valve

(omit) = 43 psid (3 bar) (standard)  
 B1 = 14.5 psid (1 bar) (lubrication or coolant applications)  
 B6 = 87 psid (6 bar) (return line extended life)  
 KB = No Bypass (flushing system) ] not available with ECON2

### Supplementary Details

(omit) = Cover Lifting Device (Handle only)  
 DH = Cover Lifting Device (Davit lifting mechanism for sizes 4000 and larger, style may vary)  
 W = Indicator with brass piston (for water based fluids)  
 SO263 = Modification of ON and W/HC elements for Skydrol or HYJET phosphate ester fluids  
 L24, L48, L110, L220 = Lamp for D-type clogging indicator (LXX, XX = voltage)  
 cRUus = Electrical indicator with underwriter's approval  
 SFREE = Element specially designed to minimize electrostatic charge generation

## Replacement Element Model Code

1300 R 010 ON / V B6

### Size

0850, 1300, 1700, 2600

### Filtration Rating (micron)

1, 3, 5, 10, 15, 20 = ON      3, 10 = BN4AM  
 3, 5, 10, 20 = ECON2      40 = AM  
 25, 74, 149 = W/HC      10, 20 = P/HC

### Element Media

ON, BN4AM, ECON2, AM, W/HC, P/HC

### Seals

(omit) = Nitrile rubber (NBR) (standard)  
 V = Fluorocarbon elastomer (FKM)

### Bypass Valve

(omit) = 43 psid (3 bar) (standard)  
 B1 = 14.5 psid (1 bar)  
 B6 = 87 psid (6 bar)  
 KB = No Bypass

### Supplementary Details

W = (same as above)  
 SO263 = (same as above)  
 SFREE = (same as above)

## Clogging Indicator Model Code

VM 2 D . X / V

### Indicator Prefix

VM = G 1/2 3000 psi

### Trip Pressure

2 = 29 psid (2 bar) (standard)  
 5 = 72 psid (5 bar) (optional)

### Type of Indicator

A = No indicator, plugged port  
 B = Pop-up indicator (auto reset)  
 BM = Pop-up indicator (manual reset)  
 C = electric switch - SPDT  
 D = electric switch & LED light - SPDT

### Modification Number

### Supplementary Details

**Seals**  
 (omit) = Nitrile (NBR) (standard)  
 V = Fluorocarbon elastomer (FKM)

**Light Voltage** (D type indicators only)  
 L24 = 24V      L110 = 110V

**Thermal Lockout** (VM, VD types C, D, J, and J4 only)  
 T100 = Lockout below 100°F

**Underwriters Approval** (VM, VD types C, D, J, and J4 only)  
 cRUus = Electrical indicator with underwriter's approval

(For additional details and options, see Section G - Clogging Indicators.)