



Blades for plastic – Series SF-30



Product notes

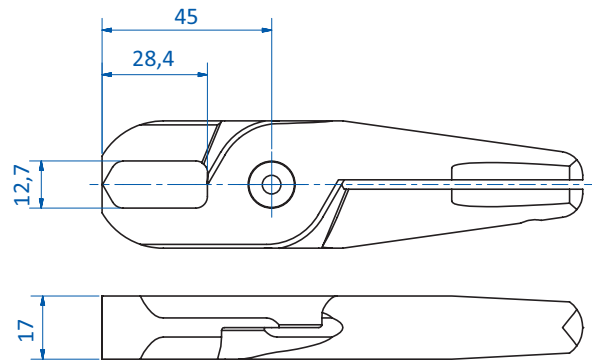
- > Forged blades from high alloy steel and heat surface treated
- > Suitable for all nippers of the size 30

Technical data

Item no.	Plug design	Max. opening width [mm]	Max. sprue diameter [mm]	Material	Weight [g]	Air nippers
SF30.P45	Perpendicular	10	9	Ferrous alloy	374	GT-N30 GT-NR30 GT-NS30



Dimensions



SF30.P45